



Axial Piston Pumps

Series PVplus
Variable Displacement



parker.com/pmde

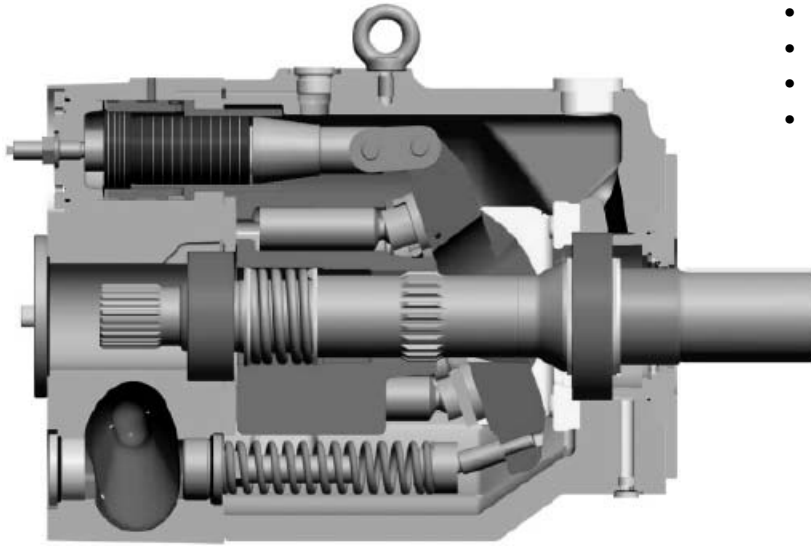


ENGINEERING YOUR SUCCESS.

Contents	Page
Introduction and general Information.....	4
Technical Data	5
Ordering Code	6
Pressure Controls.....	18
Remote Pressure Controls	20
Load Sensing Controls	22
Horse Power/Torque Controls.....	26
Performance Curves.....	30
Electronic P/Q Controls	32
Efficiency and Case Drain Flows.....	34
Performance Curves and Case Drain Flows PV 360.....	39
Accessories Control.....	40
Proportional pressure relief valve PVACRE*	42
Dimensions.....	44
Pump Dimensions	56
Electronic Module PQDXXA	60
Thru Drive, Mounting Kits	61
Thru Drive, Flange Load Limitation	62
Multiple Pump Combinations - Maximum Moment.....	62
Through Drive, Shaft Load Limitations	63

With thru drive for single and multiple pumps

Swash plate type for open circuit

**Technical Features**

- Low noise level
- Fast response
- Service-friendly
- High self-priming speed
- Compact design
- Thru drive for 100% nominal torque

General Information**Fluid recommendations**

Premium quality hydraulic mineral fluid is recommended, like HLP oils to DIN 51524, part 2. Bruggen- value recommended to be 30 N/mm² minimum for general application and 50 N/mm² for heavily loaded hydraulic equipment and fast cycling machines and/or high dynamic loads, measured in accordance with DIN 51347-2. See also Document HY30-3248/UK Parker Hydraulic Fluids.

Viscosity

The normal operating viscosity should range between 16 and 100 mm²/s (cSt). Max. start-up viscosity is 1000 mm²/s (cSt).

Filtration

For maximum pump and system component functionality and life, the system should be protected from contamination by effective filtration.

Fluid cleanliness should be in accordance with ISO classification ISO 4406:1999. The quality of filter elements should be in accordance with ISO standards. General hydraulic systems for satisfactory operation: Class 20/18/15, according to ISO 4406:1999

Recommended cleanliness for maximum component life and functionality: Class 18/16/13, according to ISO 4406:1999

Seals

Check hydraulic fluid specification for chemical resistance of seal material.

Check temperature range of seal material and compare with max. system and ambient temperature.

N – Nitrile (FKM shaft seal)	-25...+90 °C
V – FKM (FKM shaft seal)	-25...+115 °C
W – Nitrile (PTFE shaft seal)	-30...+90 °C

Note: The highest fluid temperature will be at the drain port of the pump, up to 25 °C higher than in the reservoir.

		PV016	PV020	PV023	PV028	PV032	PV040	PV046
Frame size		1	1	1	1	2	2	2
Max. Displacement	[cm ³ /rev.]	16	20	23	28	32	40	46
Output flow at 1500 rpm	[l/min]	24	30	34,5	42	48	60	69
Nominal pressure pN	[bar]	350	350	350	350	350	350	350
Min. outlet pressure	[bar]	15	15	15	15	15	15	15
Max. pressure pmax at 20% working cycle ¹⁾	[bar]	420	420	420	420	420	420	420
Case drain pressure, continuous	[bar]	0.5	0.5	0.5	0.5	0.5	0.5	0.5
Case drain pressure, max. peak	[bar]	2.0	2.0	2.0	2.0	2.0	2.0	2.0
Min. Inlet pressure, abs.	[bar]	0.8	0.8	0.8	0.8	0.8	0.8	0.8
Max. Inlet pressure	[bar]	16	16	16	16	16	16	16
Input power at 1500 rpm and 350 bar	[kW]	15.5	19.5	22.5	27.5	31	39	45
Max speed at 1 bar, abs, inlet pressure	[rpm]	3000	3000	3000	3000	2800	2800	2800
Min. speed	[rpm]	50	50	50	50	50	50	50
Moment of inertia	[kgm ²]	0.0017	0.0017	0.0017	0.0017	0.0043	0.0043	0.0043
Weight	[kg]	19	19	19	19	30	30	30

		PV063	PV080	PV092	PV140	PV180	PV270	PV360
Frame size		3	3	3	4	4	5	6
Max. Displacement	[cm ³ /rev.]	63	80	92	140	180	270	360
Output flow at 1500 rpm	[l/min]	94.5	120	138	210	270	405	540
Nominal pressure pN	[bar]	350	350	350	350	350	350	350
Min. outlet pressure	[bar]	15	15	15	15	15	15	15
Max. pressure pmax at 20% working cycle ¹⁾	[bar]	420	420	420	420	420	420	420
Case drain pressure, continuous	[bar]	0.5	0.5	0.5	0.5	0.5	0.5	0.5
Case drain pressure, max. peak	[bar]	2.0	2.0	2.0	2.0	2.0	2.0	2.0
Min. Inlet pressure, abs.	[bar]	0.8	0.8	0.8	0.8	0.8	0.8	0.8
Max. Inlet pressure	[bar]	16	16	16	16	16	16	16
Input power at 1500 rpm and 350 bar	[kW]	61.5	78	89.5	136	175	263	350
Max speed at 1 bar, abs, inlet pressure	[rpm]	2800	2500	2300	2400	2200	1800	1750
Min. speed	[rpm]	50	50	50	50	50	50	50
Moment of inertia	[kgm ²]	0.018	0.018	0.018	0.030	0.030	0.098	0.103
Weight	[kg]	59	59	59	90	90	172	180

1) Check adjustment range each compensator.



axial piston pump variable displacement

size and displacement

rotation

variation

mounting interface

threads code

thru drive code

coupling code

seals

control

see next page →

Code	Displacement	Size
016	16 cm ³ /rev	1
020	20 cm ³ /rev	1
023	23 cm ³ /rev	1
028	28 cm ³ /rev	1

Code	Seals	Shaft seal
N	NBR	FKM
V	FKM	FKM
W	NBR	PTFE

Code	Rotation ¹⁾
R	Clockwise
L	Counter clockwise

¹⁾ When looked on shaft

Code	Variation
1	Standard
2	Electronic displacement sensor ²⁾
9	Special adjustment ³⁾

²⁾ not for horse power control

³⁾ requires Kxxxx number

Code	Mounting interface	Shaft
K	metr. ISO 4-hole flange Ø100 mm	Cylindric, key
L	3019/2 4-hole flange Ø100 mm	Splined, DIN 5480
D	SAE ISO 4-hole flange SAE B	Cylindric, key
E	3019/1 4-hole flange SAE B-B	Splined, SAE

Code	Port ⁴⁾	Threads ⁵⁾
1	BSPP	metric
3	UNF	UNC
8 ⁶⁾	ISO 6149	metric

Code	Coupling for thru drive	as single part ⁷⁾
1	Single pump, no coupling	
H	with coupling 25 x 1.5 x 15, DIN 5480	MK-PVBG1K01
Y	with coupling SAE A 9T-16/32 DP	MK-PVBG1K11
A	with coupling SAE - 11T-16/32 DP	MK-PVBG1K12
B	with coupling SAE B 13T-16/32 DP	MK-PVBG1K13
C	with coupling SAE B-B 15T-16/32 DP	MK-PVBG1K14

Code	Thru drive option	
	No adaptor for 2nd pump	
T	Single pump prepared for thru drive	
	with adaptor for 2nd pump as single part ⁷⁾	
A	SAE A, Ø 82.55 mm	MK-PVBG1Axx
B	SAE B, Ø 101.6 mm	MK-PVBG1Bxx
H	metric, Ø 80 mm	MK-PVBG1Hxx
J	metric, Ø 100 mm	MK-PVBG1Jxx

See dimensions for details

⁷⁾ to be ordered separately as single part see page 61.

⁴⁾ Drain, gage and flushing ports

⁵⁾ All mounting and connecting threads

⁶⁾ Mounting interface, code K and L only

Standard pump is not painted. Black painted pump and ATEX (excludes electronic components) certification (Zone 2) is available as special option. For additional informations please contact Parker Hannifin.

Code			Control options
0	0	1	No control
1	0	0	With cover plate, no control function (fixed displacement pump)
M	M		Standard pressure control
M	R		Remote pressure control
M	F		Load Sensing (flow) control
M	T		Two spool LS control
Control variation			
		C	Standard version, integrated pilot valve ¹⁾
		1	NG6 interface top side for pilot valves
		2	Remote pressure port int. supply , NG6 interface ²⁾
		3	Remote pressure port ext. supply ²⁾
		W	With unloading function, 24VDC solenoid ¹⁾
		K	Prop.-pilot valve type PVACRE...K35 mounted
		Z	Without integrated pilot valve, NG6 interface, for mounting of accessory code PVAC*
		B	Without integrated pilot valve, without NG6 interface ³⁾
		P	MT1 with mounted pilot valve PVAC1P ²⁾

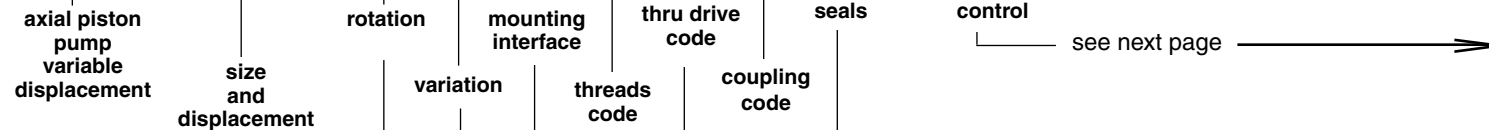
1) not for MT & *Z
2) only for MT
3) not for MT & MM

Horse power / Torque control			
Code		Nominal HP at 1.500 rpm	Nominal torque
B		3 kW	20 Nm
C		4 kW	25 Nm
D		5.5 kW	35 Nm
E		7.5 kW	50 Nm
G		11 kW	71 Nm
H		15 kW	97 Nm
K		18.5 kW	120 Nm
Function			
	L	Horse power control with pressure control ⁴⁾	
	C	Horse power control with load sensing (single spool)	
	Z	Horse power control with two spool LS control	
Control variation			
		C	Standard version, integrated pilot valve ¹⁾
		1	NG 6 interface top side
		W	With unloading function, 24 VDC solenoid
		K	Prop.-pilot valve type PVACRE...K35 mounted
		Z	Without integrated pilot valve, NG6 interface, for mounting of accessory code PVAC* ⁴⁾
		B	Without integrated pilot valve, without NG6 interface ^{1), 4)}

4) control variation Z and B without pressure pilot

Code		Control option
Electro hydraulic control ⁵⁾		
F	D V	Proportional displacement control, no pressure compensation
U	D	Proportional displacement control, with pressure compensation
Control variation		
	R	pilot operated pressure control, open NG6 interface
	K	pilot operated pressure control, proportional pilot valve type PVACRE...K35 mounted
	M	pilot operated pressure control, pressure sensor and proportional pilot valve type PVACRE...K35 mounted for pressure control and/or power control

5) further info in HY30-3254



see next page →

Code	Displacement	Size
032	32 cm ³ /rev	2
040	40 cm ³ /rev	2
046	46 cm ³ /rev	2

Code	Seals	Shaft seal
N	NBR	FKM
V	FKM	FKM
W	NBR	PTFE

Code	Rotation ¹⁾
R	Clockwise
L	Counter clockwise

¹⁾ When looked on shaft

Code	Variation
1	Standard
2	Electronic displacement sensor ²⁾
9	Special adjustment ³⁾

²⁾ not for horse power control

³⁾ requires Kxxxx number

Code	Mounting interface		Shaft
K	metr. ISO	4-hole flange Ø125 mm	Cylindric, key
L	3019/2	4-hole flange Ø125 mm	Splined, DIN 5480
D	SAE ISO	4-hole flange SAE C	Cylindric, key
E	3019/1	4-hole flange SAE C	Splined, SAE

Code	Port ⁴⁾	Threads ⁵⁾
1	BSPP	metric
3	UNF	UNC
8 ⁶⁾	ISO 6149	metric

⁴⁾ Drain, gage and flushing ports

⁵⁾ All mounting and connecting threads

⁶⁾ Mounting interface, code K and L only

Code	Coupling for thru drive	as single part ⁷⁾
1	Single pump, no coupling	
H	with coupling 25 x 1.5 x 15, DIN 5480	MK-PVBG2K01
J	with coupling 32 x 1.5 x 20, DIN 5480	MK-PVBG2K02
Y	with coupling SAE A 9T-16/32 DP	MK-PVBG2K11
A	with coupling SAE - 11T-16/32 DP	MK-PVBG2K12
B	with coupling SAE B 13T-16/32 DP	MK-PVBG2K13
C	with coupling SAE B-B 15T-16/32 DP	MK-PVBG2K14
D	with coupling SAE C 14T-12/24 DP	MK-PVBG2K15

Code	Thru drive option	
	No adaptor for 2nd pump	
T	Single pump prepared for thru drive	
	with adaptor for 2nd pump	as single part ⁷⁾
A	SAE A, Ø 82.55 mm	MK-PVBG2Axx
B	SAE B, Ø 101.6 mm	MK-PVBG2Bxx
C	SAE C, Ø 127 mm	MK-PVBG2Cxx
H	metric, Ø 80 mm	MK-PVBG2Hxx
J	metric, Ø 100 mm	MK-PVBG2Jxx
K	metric, Ø 125 mm	MK-PVBG2Kxx

See dimensions for details

⁷⁾ to be ordered separately as single part see page 61.

Standard pump is not painted. Black painted pump and ATEX (excludes electronic components) certification (Zone 2) is available as special option. For additional informations please contact Parker Hannifin.

Code			Control options
0	0	1	No control
1	0	0	With cover plate, no control function (fixed displacement pump)
M	M		Standard pressure control
M	R		Remote pressure control
M	F		Load Sensing (flow) control
M	T		Two spool LS control
Control variation			
		C	Standard version, integrated pilot valve ¹⁾
		1	NG6 interface top side for pilot valves
		2	Remote pressure port int. supply , NG6 interface ²⁾
		3	Remote pressure port ext. supply ²⁾
		W	With unloading function, 24VDC solenoid ¹⁾
		K	Prop.-pilot valve type PVACRE...K35 mounted
		Z	Without integrated pilot valve, NG6 interface, for mounting of accessory code PVAC*
		B	Without integrated pilot valve, without NG6 interface ³⁾
		P	MT1 with mounted pilot valve PVAC1P ²⁾

1) not for MT & *Z
2) only for MT
3) not for MT & MM

Horse power / Torque control			
Code		Nominal HP at 1.500 rpm	Nominal torque
D		5.5 kW	35 Nm
E		7.5 kW	50 Nm
G		11 kW	71 Nm
H		15 kW	97 Nm
K		18.5 kW	120 Nm
M		22 kW	142 Nm
S		30 kW	195 Nm
Function			
	L	Horse power control with pressure control ⁴⁾	
	C	Horse power control with load sensing (single spool)	
	Z	Horse power control with two spool LS control	
Control variation			
		C	Standard version, integrated pilot valve ¹⁾
		1	NG 6 interface top side
		W	With unloading function, 24 VDC solenoid
		K	Prop.-pilot valve type PVACRE...K35 mounted
		Z	Without integrated pilot valve, NG6 interface, for mounting of accessory code PVAC* ⁴⁾
		B	Without integrated pilot valve, without NG6 interface ^{1), 4)}

4) control variation Z and B without pressure pilot

Code			Control option
Electro hydraulic control ⁵⁾			
F	D	V	Proportional displacement control, no pressure compensation
U	D		Proportional displacement control, with pressure compensation
Control variation			
		R	pilot operated pressure control, open NG6 interface
		K	pilot operated pressure control, proportional pilot valve type PVACRE...K35 mounted
		M	pilot operated pressure control, pressure sensor and proportional pilot valve type PVACRE...K35 mounted for pressure control and/or power control

5) further info in HY30-3254



axial piston pump
 variable displacement
 high pressure
 version

size and displacement

rotation

variation

mounting interface

threads code

thru drive code

coupling code

seals

compensator

see next page →

Code	Displacement	Size
063	63 cm ³ /rev	3
080	80 cm ³ /rev	3
092	92 cm ³ /rev	3

Code	Seals	Shaft seal
N	NBR	FKM
V	FKM	FKM
W	NBR	PTFE

Code	Rotation ¹⁾
R	Clockwise
L	Counter clockwise

¹⁾ When looked on shaft

Code	Variation
1	Standard
2	Electronic displacement sensor ²⁾
9	Special adjustment ³⁾

²⁾ not for horse power control

³⁾ requires Kxxxx number

Code	Coupling for thru drive	as single part ⁸⁾
1	Single pump, no coupling	
H	with coupling 25 x 1.5 x 15, DIN 5480	MK-PVBG3K01
J	with coupling 32 x 1.5 x 20, DIN 5480	MK-PVBG3K02
K	with coupling 40 x 1.5 x 25, DIN 5480	MK-PVBG3K03
Y	with coupling SAE A 9T-16/32 DP	MK-PVBG3K11
A	with coupling SAE - 11T-16/32 DP	MK-PVBG3K12
B	with coupling SAE B 13T-16/32 DP	MK-PVBG3K13
C	with coupling SAE B-B 15T-16/32 DP	MK-PVBG3K14
D	with coupling SAE C 14T-12/24 DP	MK-PVBG3K15
E	with coupling SAE C-C 17T-12/24 DP	MK-PVBG3K16
F	with coupling SAE D, E 13T-8/16 DP	MK-PVBG3K17

Code	Mounting interface	Shaft
K	metr. ISO 4-hole flange Ø160 mm	Cylindric, key
L	3019/2 4-hole flange Ø160 mm	Splined, DIN 5480
D	SAE ISO 4-hole flange SAE D	Cylindric, key
E	3019/1 4-hole flange SAE D	Splined, SAE

Code	Thru drive option	
	No adaptor for 2nd pump	
T	Single pump prepared for thru drive	
	with adaptor for 2nd pump as single part ⁸⁾	
A	SAE A, Ø 82.55 mm	MK-PVBG3Axx
B	SAE B, Ø 101.6 mm	MK-PVBG3Bxx
C	SAE C, Ø 127 mm	MK-PVBG3Cxx
D	SAE D, Ø 152.4 mm	MK-PVBG3Dxx
H	metric, Ø 80 mm	MK-PVBG3Hxx
J	metric, Ø 100 mm	MK-PVBG3Jxx
K	metric, Ø 125 mm	MK-PVBG3Kxx
L	metric, Ø 160 mm	MK-PVBG3Lxx

See dimensions for details

⁸⁾ to be ordered separately as single part see page 61.

Code	Port ⁴⁾	Threads ⁵⁾
1	BSPP	metric
3	UNF	UNC
4 ⁶⁾	BSPP	metr. M14
8 ⁷⁾	ISO 6149	metric

⁴⁾ Drain, gage and flushing ports

⁵⁾ All mounting and connecting threads

⁶⁾ For PV063-PV092 only: pressure port 1 1/4" with 4 x M14 instead of 4 x M12

⁷⁾ for mounting interface K and L only

Standard pump is not painted. Black painted pump and ATEX (excludes electronic components) certification (Zone 2) is available as special option. For additional informations please contact Parker Hannifin.

Code			Control options
0	0	1	No control
1	0	0	With cover plate, no control function (fixed displacement pump)
M	M		Standard pressure control
M	R		Remote pressure control
M	F		Load Sensing (flow) control
M	T		Two spool LS control
Control variation			
		C	Standard version, integrated pilot valve ¹⁾
		1	NG6 interface top side for pilot valves
		2	Remote pressure port int. supply , NG6 interface ²⁾
		3	Remote pressure port ext. supply ²⁾
		W	With unloading function, 24VDC solenoid ¹⁾
		K	Prop.-pilot valve type PVACRE...K35 mounted
		Z	Without integrated pilot valve, NG6 interface, for mounting of accessory code PVAC*
		B	Without integrated pilot valve, without NG6 interface ³⁾
		P	MT1 with mounted pilot valve PVAC1P ²⁾

1) not for MT & *Z
2) only for MT
3) not for MT & MM

Horse power / Torque control			
Code		Nominal HP at 1.500 rpm	Nominal torque
G		11 kW	71 Nm
H		15 kW	97 Nm
K		18.5 kW	120 Nm
M		22 kW	142 Nm
S		30 kW	195 Nm
T		37 kW	240 Nm
U		45 kW	290 Nm
W		55 kW	355 Nm
Function			
	L	Horse power control with pressure control ⁴⁾	
	C	Horse power control with load sensing (single spool)	
	Z	Horse power control with two spool LS control	
Control variation			
		C	Standard version, integrated pilot valve ¹⁾
		1	NG 6 interface top side
		W	With unloading function, 24 VDC solenoid
		K	Prop.-pilot valve type PVACRE...K35 mounted
		Z	Without integrated pilot valve, NG6 interface, for mounting of accessory code PVAC* ⁴⁾
		B	Without integrated pilot valve, without NG6 interface ^{1), 4)}

4) control variation Z and B without pressure pilot

Code			Control option
Electro hydraulic control ⁵⁾			
F	D	V	Proportional displacement control, no pressure compensation
U	D		Proportional displacement control, with pressure compensation
Control variation			
		R	pilot operated pressure control, open NG6 interface
		K	pilot operated pressure control, proportional pilot valve type PVACRE...K35 mounted
		M	pilot operated pressure control, pressure sensor and proportional pilot valve type PVACRE...K35 mounted for pressure control and/or power control

5) further info in HY30-3254



axial piston pump variable displacement

size and displacement

rotation

variation

mounting interface

threads code

thru drive code

coupling code

seals

control

see next page →

Code	Displacement	Size
140	140 cm ³ /rev	4
180	180 cm ³ /rev	4

Code	Seals	Shaft seal
N	NBR	FKM
V	FKM	FKM
W	NBR	PTFE

Code	Rotation ¹⁾
R	Clockwise
L	Counter clockwise

¹⁾ When looked on shaft

Code	Variation
1	Standard
2	Electronic displacement sensor ²⁾
9	Special adjustment ³⁾

²⁾ not for horse power control

³⁾ requires Kxxxx number

Code	Coupling for thru drive	as single part ⁸⁾
1	Single pump, no coupling	
H	with coupling 25 x 1.5 x 15, DIN 5480	MK-PVVG4K01
J	with coupling 32 x 1.5 x 20, DIN 5480	MK-PVVG4K02
K	with coupling 40 x 1.5 x 25, DIN 5480	MK-PVVG4K03
L	with coupling 50 x 2 x 24, DIN 5480	MK-PVVG4K04
Y	with coupling SAE A 9T-16/32 DP	MK-PVVG4K11
A	with coupling SAE - 11T-16/32 DP	MK-PVVG4K12
B	with coupling SAE B 13T-16/32 DP	MK-PVVG4K13
C	with coupling SAE B-B 15T-16/32 DP	MK-PVVG4K14
D	with coupling SAE C 14T-12/24 DP	MK-PVVG4K15
E	with coupling SAE C-C 17T-12/24 DP	MK-PVVG4K16
F	with coupling SAE D, E 13T-8/16 DP	MK-PVVG4K17
G	with coupling SAE F 15T-8/16 DP	MK-PVVG4K18

Code	Mounting interface	Shaft
K	metr. ISO 4-hole flange Ø160 mm	Cylindric, key
L	3019/2 4-hole flange Ø160 mm	Splined, DIN 5480
D	4-hole flange SAE D	Cylindric, key, SAE F
E	SAE ISO 4-hole flange SAE D	Splined, SAE F, SAE D
F	3019/1 4-hole flange SAE D	Cylindric, key, SAE D
G	4-hole flange SAE D	Splined, SAE D

Code	Port ⁴⁾	Threads ⁵⁾
1	BSPP	metric
3	UNF	UNC
4 ⁶⁾	BSPP	metr. M14
8 ⁷⁾	ISO 6149	metric

Code	Thru drive option	
	No adaptor for 2nd pump	
T	Single pump prepared for thru drive	
	with adaptor for 2nd pump as single part ⁸⁾	
A	SAE A, Ø 82.55 mm	MK-PVVG4Axx
B	SAE B, Ø 101.6 mm	MK-PVVG4Bxx
C	SAE C, Ø 127 mm	MK-PVVG4Cxx
D	SAE D, Ø 152.4 mm	MK-PVVG4Dxx
H	metric, Ø 80 mm	MK-PVVG4Hxx
J	metric, Ø 100 mm	MK-PVVG4Jxx
K	metric, Ø 125 mm	MK-PVVG4Kxx
L	metric, Ø 160 mm	MK-PVVG4Lxx

See dimensions for details

⁸⁾ to be ordered separately as single part see page 61.

⁴⁾ Drain, gage and flushing ports

⁵⁾ All mounting and connecting threads

⁶⁾ Pressure port 1 1/4" with 4 x M14 instead of 4 x M12

⁷⁾ Mounting interface, code K and L only

Standard pump is not painted. Black painted pump and ATEX (excludes electronic components) certification (Zone 2) is available as special option. For additional informations please contact Parker Hannifin.

Code			Control options
0	0	1	No control
1	0	0	With cover plate, no control function (fixed displacement pump)
M	M		Standard pressure control
M	R		Remote pressure control
M	F		Load Sensing (flow) control
M	T		Two spool LS control
			Control variation
		C	Standard version, integrated pilot valve ¹⁾
		1	NG6 interface top side for pilot valves
		2	Remote pressure port int. supply , NG6 interface ²⁾
		3	Remote pressure port ext. supply ²⁾
		W	With unloading function, 24VDC solenoid ¹⁾
		K	Prop.-pilot valve type PVACRE...K35 mounted
		Z	Without integrated pilot valve, NG6 interface, for mounting of accessory code PVAC*
		B	Without integrated pilot valve, without NG6 interface ³⁾
		P	MT1 with mounted pilot valve PVAC1P ²⁾

1) not for MT & *Z
2) only for MT
3) not for MT & MM

Horse power / Torque control			
Code		Nominal HP at 1.500 rpm	Nominal torque
K		18.5 kW	120 Nm
M		22 kW	142 Nm
S		30 kW	195 Nm
T		37 kW	240 Nm
U		45 kW	290 Nm
W		55 kW	355 Nm
Y		75 kW	485 Nm
Z		90 kW	585 Nm
2		110 kW	700 Nm
Function			
	L		Horse power control with pressure control ⁴⁾
	C		Horse power control with load sensing (single spool)
	Z		Horse power control with two spool LS control
Control variation			
		C	Standard version, integrated pilot valve ¹⁾
		1	NG 6 interface top side
		W	With unloading function, 24 VDC solenoid
		K	Prop.-pilot valve type PVACRE...K35 mounted
		Z	Without integrated pilot valve, NG6 interface, for mounting of accessory code PVAC* ⁴⁾
		B	Without integrated pilot valve, without NG6 interface ^{1), 4)}

4) control variation Z and B without pressure pilot

Code			Control option
Electro hydraulic control ⁵⁾			
F	D	V	Proportional displacement control, no pressure compensation
U	D		Proportional displacement control, with pressure compensation
Control variation			
		R	pilot operated pressure control, open NG6 interface
		K	pilot operated pressure control, proportional pilot valve type PVACRE...K35 mounted
		M	pilot operated pressure control, pressure sensor and proportional pilot valve type PVACRE...K35 mounted for pressure control and/or power control

5) further info in HY30-3254



P V
 axial piston pump
 variable displacement
 high pressure
 version

[blank] [blank] [blank]
 size and displacement

Code	Displacement	Size
270	270 cm ³ /rev	5

Code	Rotation ¹⁾
R	Clockwise
L	Counter clockwise

¹⁾ When looked on shaft

Code	Variation
1	Standard
2	Electronic displacement sensor ²⁾
9	Special adjustment ³⁾

²⁾ not for horse power control
³⁾ requires Kxxxx number

Code	Mounting interface		Shaft
K	metr. ISO	4-hole flange Ø200 mm	Cylindric, key
L	3019/2	4-hole flange Ø200 mm	Splined, DIN 5480
D	SAE ISO	4-hole flange SAE E	Cylindric, key
E	3019/1	4-hole flange SAE E	Splined, SAE

Code	Port ⁴⁾	Threads ⁵⁾
1	BSPP	metric
3	UNF	UNC
8	ISO 6149	metric

⁴⁾ Drain, gage and flushing ports
⁵⁾ All mounting and connecting threads

R 1 K 1 T 1 N
 rotation variation mounting interface threads thru drive code coupling code seals compensator

see next page →

Code	Seals	Shaft seal
N	NBR	FKM
V	FKM	FKM
W	NBR	PTFE

Code	Coupling for thru drive	as single part ⁶⁾
1	Single pump, no coupling	
H	with coupling 25 x 1.5 x 15, DIN 5480	MK-PVBG5K01
J	with coupling 32 x 1.5 x 20, DIN 5480	MK-PVBG5K02
K	with coupling 40 x 1.5 x 25, DIN 5480	MK-PVBG5K03
L	with coupling 50 x 2 x 24, DIN 5480	MK-PVBG5K04
M	with coupling 60 x 2 x 28, DIN 5480	MK-PVBG5K05
Y	with coupling SAE A 9T-16/32 DP	MK-PVBG5K11
A	with coupling SAE - 11T-16/32 DP	MK-PVBG5K12
B	with coupling SAE B 13T-16/32 DP	MK-PVBG5K13
C	with coupling SAE B-B 15T-16/32 DP	MK-PVBG5K14
D	with coupling SAE C 14T-12/24 DP	MK-PVBG5K15
E	with coupling SAE C-C 17T-12/24 DP	MK-PVBG5K16
F	with coupling SAE D, E 13T-8/16 DP	MK-PVBG5K17
G	with coupling SAE F 15T-8/16 DP	MK-PVBG5K18

Code	Thru drive option	
	No adaptor for 2nd pump	
T	Single pump prepared for thru drive	
	with adaptor for 2nd pump	as single part ⁶⁾
A	SAE A, Ø 82.55 mm	MK-PVBG5Axx
B	SAE B, Ø 101.6 mm	MK-PVBG5Bxx
C	SAE C, Ø 127 mm	MK-PVBG5Cxx
D	SAE D, Ø 152.4 mm	MK-PVBG5Dxx
E	SAE E, Ø 165.1 mm	MK-PVBG5Exx
H	metric, Ø 80 mm	MK-PVBG5Hxx
J	metric, Ø 100 mm	MK-PVBG5Jxx
K	metric, Ø 125 mm	MK-PVBG5Kxx
L	metric, Ø 160 mm	MK-PVBG5Lxx
M	metric, Ø 200 mm	MK-PVBG5Mxx

See dimensions for details

⁶⁾ to be ordered separately as single part
 see page 61.

Standard pump is not painted. Black painted pump and ATEX (excludes electronic components) certification (Zone 2) is available as special option. For additional informations please contact Parker Hannifin.

Code			Control options
0	0	1	No control
1	0	0	With cover plate, no control function (fixed displacement pump)
M	M		Standard pressure control
M	R		Remote pressure control
M	F		Load Sensing (flow) control
M	T		Two spool LS control
Control variation			
		C	Standard version, integrated pilot valve ¹⁾
		1	NG6 interface top side for pilot valves
		2	Remote pressure port int. supply , NG6 interface ²⁾
		3	Remote pressure port ext. supply ²⁾
		W	With unloading function, 24VDC solenoid ¹⁾
		K	Prop.-pilot valve type PVACRE...K35 mounted
		Z	Without integrated pilot valve, NG6 interface, for mounting of accessory code PVAC*
		B	Without integrated pilot valve, without NG6 interface ³⁾
		P	MT1 with mounted pilot valve PVAC1P ²⁾

1) not for MT & *Z
2) only for MT
3) not for MT & MM

Horse power / Torque control			
Code		Nominal HP at 1.500 rpm	Nominal torque
T		37 kW	240 Nm
U		45 kW	290 Nm
W		55 kW	350 Nm
Y		75 kW	480 Nm
Z		90 kW	580 Nm
2		110 kW	700 Nm
3		132 kW	840 Nm
4		160 kW	1020 Nm
5		180 kW	1150 Nm
6		200 kW	1280 Nm

Function		
	L	Horse power control with pressure control ⁴⁾
	C	Horse power control with load sensing (single spool)
	Z	Horse power control with two spool LS control

Control variation		
		C Standard version, integrated pilot valve ¹⁾
		1 NG 6 interface top side
		W With unloading function, 24 VDC solenoid
		K Prop.-pilot valve type PVACRE...K35 mounted
		Z Without integrated pilot valve, NG6 interface, for mounting of accessory code PVAC* ⁴⁾
		B Without integrated pilot valve, without NG6 interface ^{1), 4)}

4) control variation Z and B without pressure pilot

5) further info in HY30-3254

Code			Control option
Electro hydraulic control ⁵⁾			
F	D	V	Proportional displacement control, no pressure compensation
U	D		Proportional displacement control, with pressure compensation
Control variation			
		R	pilot operated pressure control, open NG6 interface
		K	pilot operated pressure control, proportional pilot valve type PVACRE...K35 mounted
		M	pilot operated pressure control, pressure sensor and proportional pilot valve type PVACRE...K35 mounted for pressure control and/or power control



axial piston pump variable displacement

size and displacement

rotation

variation

mounting interface

threads code

thru drive code

coupling code

seals

control

see next page →

Code	Displacement	Size
360	360 cm ³ /rev	6

Code	Rotation ¹⁾
R	Clockwise
L	Counter clockwise

¹⁾ When looked on shaft

Code	Variation
1	Standard
2	Electronic displacement sensor ²⁾
9	Special adjustment ³⁾

²⁾ not for horse power control

³⁾ requires Kxxxx number

Code	Mounting interface	Shaft
K	4-hole flange Ø250 mm	Cylindric, key
L	metr. ISO 4-hole flange Ø250 mm	Splined, DIN 5480
R	3019/2 4-hole flange Ø224 mm	Cylindric, key
T	4-hole flange Ø224 mm	Splined, DIN 5480
D	SAE ISO 4-hole flange SAE E	Cylindric, key
E	3019/1 4-hole flange SAE E	Splined, DIN 5480

Code	Port ⁴⁾	Threads ⁵⁾
1	BSPP	metric
3	UNF	UNC

⁴⁾ Drain, gage and flushing ports

⁵⁾ All mounting and connecting threads

Code	Seals	Shaft seal
N	NBR	FKM
V	FKM	FKM

Code	Coupling for thru drive	as single part ⁶⁾
1	Single pump, no coupling	
H	with coupling 25 x 1.5 x 15, DIN 5480	MK-PVBG5K01
J	with coupling 32 x 1.5 x 20, DIN 5480	MK-PVBG5K02
K	with coupling 40 x 1.5 x 25, DIN 5480	MK-PVBG5K03
L	with coupling 50 x 2 x 24, DIN 5480	MK-PVBG5K04
M	with coupling 60 x 2 x 28, DIN 5480	MK-PVBG5K05
P	with coupling 70 x 3 x 22, DIN 5480	MK-PVBG5K06
Y	with coupling SAE A 9T-16/32 DP	MK-PVBG5K11
A	with coupling SAE - 11T-16/32 DP	MK-PVBG5K12
B	with coupling SAE B 13T-16/32 DP	MK-PVBG5K13
C	with coupling SAE B-B 15T-16/32 DP	MK-PVBG5K14
D	with coupling SAE C 14T-12/24 DP	MK-PVBG5K15
E	with coupling SAE C-C 17T-12/24 DP	MK-PVBG5K16
F	with coupling SAE D, E 13T-8/16 DP	MK-PVBG5K17
G	with coupling SAE F 15T-8/16 DP	MK-PVBG5K18

Code	Thru drive option	
	No adaptor for 2nd pump	
T	Single pump prepared for thru drive	
	with adaptor for 2nd pump as single part ⁶⁾	
A	SAE A, Ø 82.55 mm	MK-PVBG5Axx
B	SAE B, Ø 101.6 mm	MK-PVBG5Bxx
C	SAE C, Ø 127 mm	MK-PVBG5Cxx
D	SAE D, Ø 152.4 mm	MK-PVBG5Dxx
E	SAE E, Ø 165.1 mm	MK-PVBG5Exx
H	metric, Ø 80 mm	MK-PVBG5Hxx
J	metric, Ø 100 mm	MK-PVBG5Jxx
K	metric, Ø 125 mm	MK-PVBG5Kxx
L	metric, Ø 160 mm	MK-PVBG5Lxx
M	metric, Ø 200 mm	MK-PVBG5Mxx

See dimensions for details

⁶⁾ to be ordered separately as single part see page 61.

Standard pump is not painted. Black painted pump and ATEX (excludes electronic components) certification (Zone 2) is available as special option. For additional informations please contact Parker Hannifin.

Code			Control options
0	0	1	No control
1	0	0	With cover plate, no control function (fixed displacement pump)
M	M		Standard pressure control
M	R		Remote pressure control
M	F		Load Sensing (flow) control
M	T		Two spool LS control
Control variation			
		C	Standard version, integrated pilot valve ¹⁾
		1	NG6 interface top side for pilot valves
		2	Remote pressure port int. supply , NG6 interface ²⁾
		3	Remote pressure port ext. supply ²⁾
		W	With unloading function, 24VDC solenoid ¹⁾
		K	Prop.-pilot valve type PVACRE...K35 mounted
		Z	Without integrated pilot valve, NG6 interface, for mounting of accessory code PVAC*
		B	Without integrated pilot valve, without NG6 interface ³⁾
		P	MT1 with mounted pilot valve PVAC1P ²⁾

1) not for MT & *Z
2) only for MT
3) not for MT & MM

Horse power / Torque control				
Code			Nominal HP at 1.500 rpm	Nominal torque
U			45 kW	290 Nm
W			55 kW	350 Nm
Y			75 kW	480 Nm
Z			90 kW	580 Nm
2			110 kW	700 Nm
3			132 kW	840 Nm
4			160 kW	1020 Nm
5			180 kW	1150 Nm
6			200 kW	1280 Nm
Function				
	L		Horse power control with pressure control ⁴⁾	
	C		Horse power control with load sensing (single spool)	
	Z		Horse power control with two spool LS control	
Control variation				
		C	Standard version, integrated pilot valve ¹⁾	
		1	NG 6 interface top side	
		W	With unloading function, 24 VDC solenoid	
		K	Prop.-pilot valve type PVACRE...K35 mounted	
		Z	Without integrated pilot valve, NG6 interface, for mounting of accessory code PVAC* ⁴⁾	
		B	Without integrated pilot valve, without NG6 interface ^{1), 4)}	

4) control variation Z and B without pressure pilot

Code			Control option
Electro hydraulic control ⁵⁾			
F	D	V	Proportional displacement control, no pressure compensation
U	D		Proportional displacement control, with pressure compensation
Control variation			
		R	pilot operated pressure control, open NG6 interface
		K	pilot operated pressure control, proportional pilot valve type PVACRE...K35 mounted
		M	pilot operated pressure control, pressure sensor and proportional pilot valve type PVACRE...K35 mounted for pressure control and/or power control

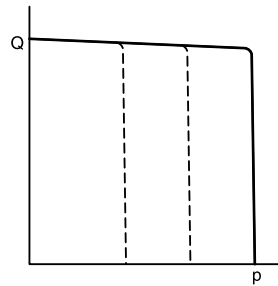
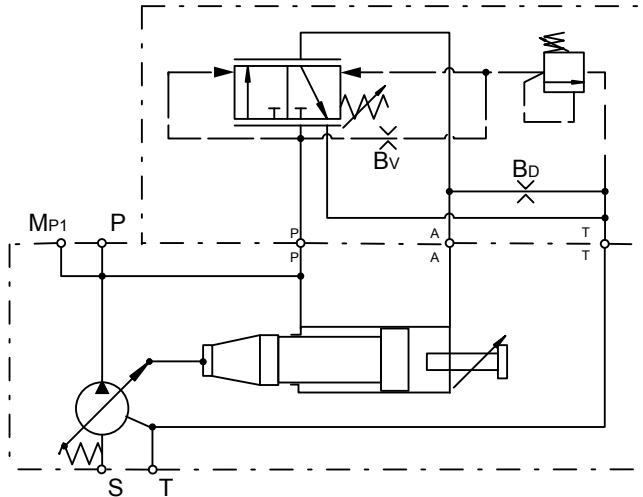
5) further info in HY30-3254

Standard Pressure Control

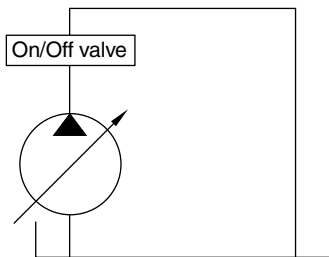
Control option MMC

The standard pressure control adjusts the pump displacement according to the actual need of flow in the system in order to keep the pressure constant.

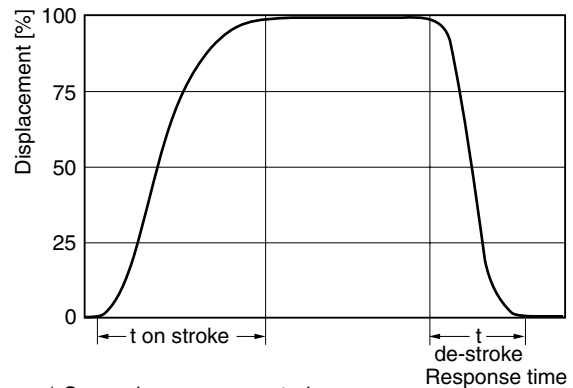
Control schematics



Response times of the pump are collected from a circuit as below by measuring the pumps swash angle movement at different pressures.



Dynamic characteristic of flow control *



* Curve shown exaggerated

	Time on-stroke [ms]		Time de-stroke [ms]	
	against 50 bar	against 350 bar	zero stroke 50 bar	zero stroke 350 bar
PV360	520	180	120	82

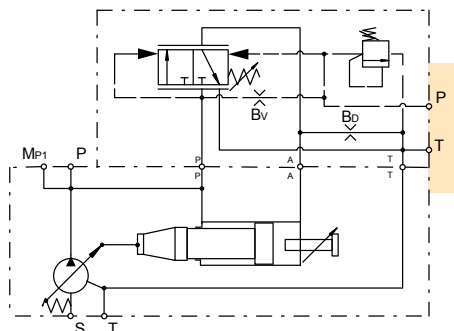
Pressure adjustment range	15 to 420 bar
Factory setting pressure	50 bar
Differential pressure adjustment range	10 to 40 bar
Factory setting differential pressure	15 bar
Control oil consumption	Max 8.0 l/min
Typically pilot flow	approx 1,5 l/min

Standard Pressure Control with NG6 Interface

Control option MM1

With code MM1 the standard pressure control has a valve interface size NG 6 DIN 24340 (CETOP 03 acc. RP35H, NFPA D03) on the top side.

This interface allows the mounting of accessories like multiple pressure selectors without the need of external piping and valve mounting.

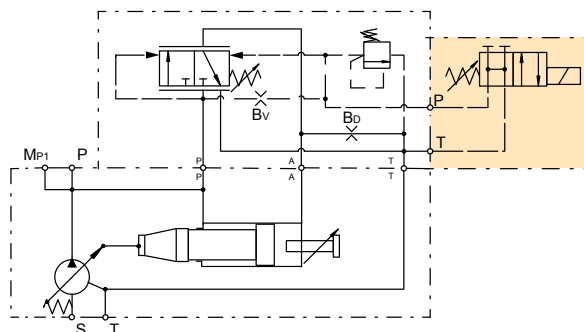


Standard Pressure Control with Electrical Unloading

Control option MMW

With code MMW a solenoid operated directional control valve (D1VW002KNJW) for electrical unloading is mounted on the control top side.

When the solenoid is de-energised, the pump compensates at a stand-by pressure of typically 15 bar. When the solenoid is energised, the pump compensates at the pressure adjusted on the integrated pilot valve.

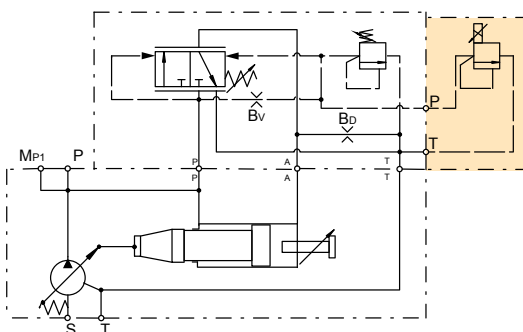


Standard Pressure Control with Proportional Pilot Valve

Control option MMK

With code MMK a proportional pilot valve of type PVACRE...K35 (see page 43) is mounted on the top side interface.

This allows a variation of the pump compensating pressure between 20 and 350 bar by an electrical signal.



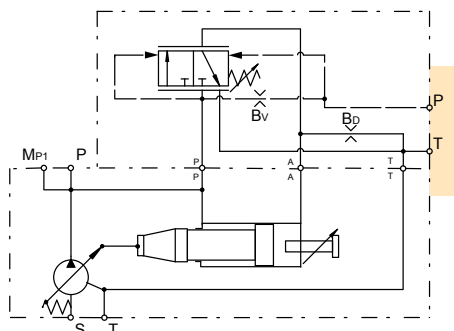
Standard Pressure Control without Integrated Pressure Pilot Valve

Control option MMZ

Control MMZ has no integrated pilot valve but a valve interface NG6 DIN 24340 on the top.

This version is recommended for valve accessories.

For operation at >350 bar please select respective valve accessories (see page 40)

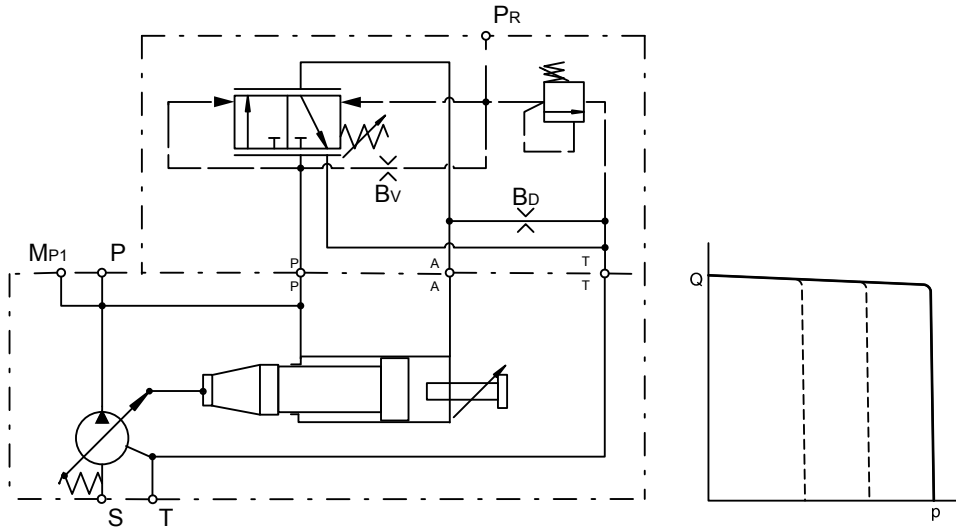


Remote Pressure Control

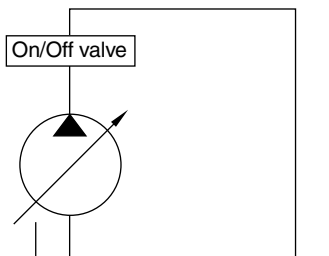
Control option MRC

The remote pressure control adjusts the pump displacement according to the actual need of flow in the system in order to keep the pressure constant at a level given by a remotely installed pilot valve.

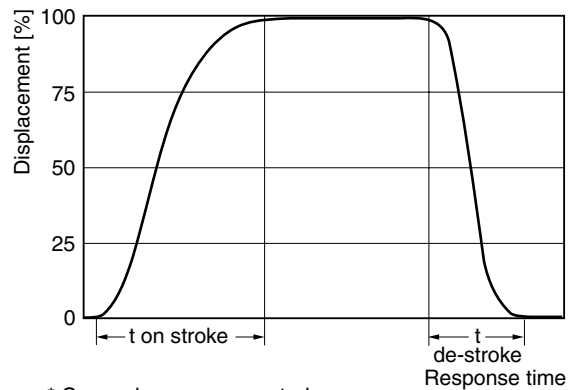
Control schematics



Response times of the pump are collected from a circuit as below by measuring the pumps swash angle movement at different pressures.



Dynamic characteristic of flow control *



* Curve shown exaggerated

	Time on-stroke [ms]		Time de-stroke [ms]	
	against 50 bar	against 350 bar	zero stroke 50 bar	zero stroke 350 bar
PV360	520	180	120	82

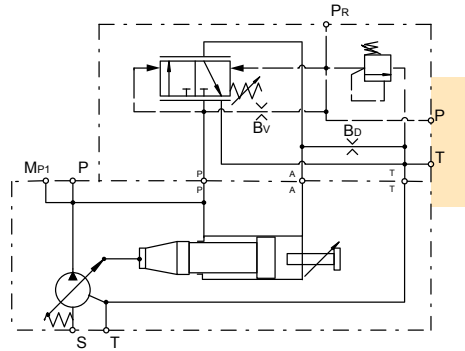
Pressure adjustment range	15 to 420 bar
Factory setting pressure	50 bar
Differential pressure adjustment range	10 to 40 bar
Factory setting differential pressure	15 bar
Control oil consumption	Max 8.0 l/min
Typically pilot flow	approx 1,5 l/min

Remote Pressure Control with NG6 Interface

Control option MR1

With code MR1 the remote pressure control has a valve interface size NG 6 DIN 24340 (CETOP 03 acc. RP35H, NFPA D03) on the top side.

This interface allows the mounting of accessories like multiple pressure selectors without the need of external piping and valve mounting.

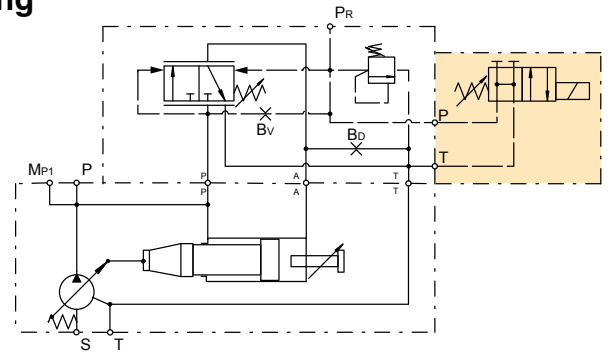


Remote Pressure Control with Electrical Unloading

Control option MRW

With code MRW a solenoid operated directional control valve (D1VW002KNJW) for electrical unloading is mounted on the control top side.

When the solenoid is de-energised, the pump compensates at a stand-by pressure of typically 15 bar. When the solenoid is energised, the pump compensates at the pressure adjusted on the integrated pilot valve.

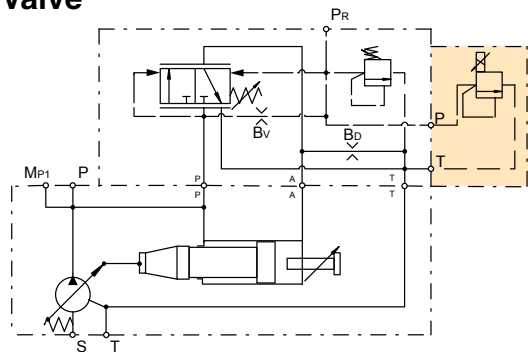


Remote Pressure Control with Proportional Pilot Valve

Control option MRK

With code MRK a proportional pilot valve of type PVACRE...K35 (see page 43) is mounted on the top side interface.

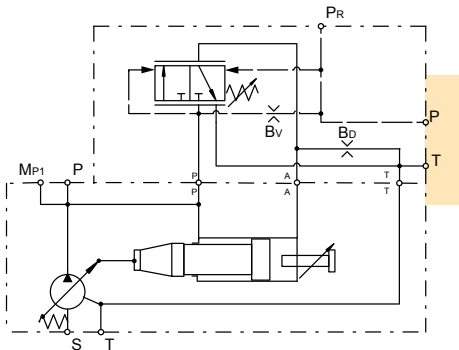
This allows a variation of the pump compensating pressure between 20 and 350 bar by an electrical signal.



Remote Pressure Control without Integrated Pressure Pilot Valve

Control option MRZ

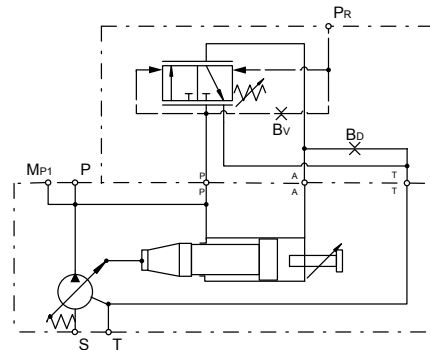
Control MRZ has no integrated pilot valve but a NG6 DIN 24340 interface topside.



This version is recommended for valve accessories.

Control option MRB

Control MRB has no integrated pilot valve.

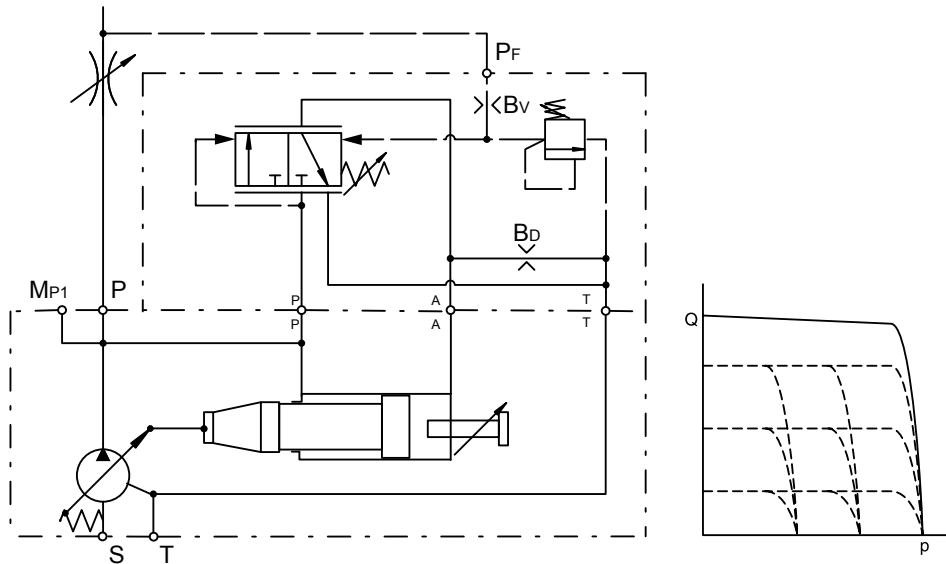


Load Sensing Control

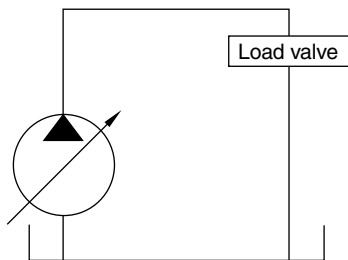
Control option MFC

The pilot pressure of the load sensing control is taken from a load sensing port in the hydraulic system. It is used to match pump flow to system demands. Integrated pilot valve allows pmax adjustment.

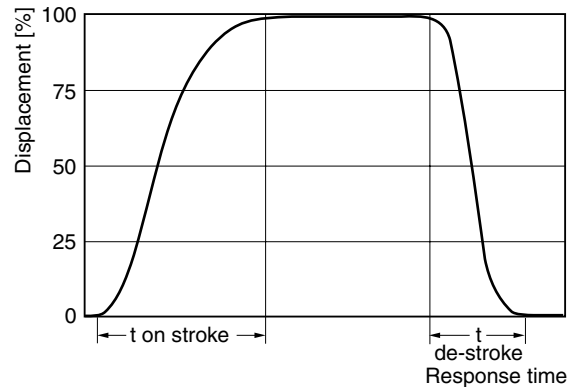
Control schematics



Response times of the pump are collected from a circuit as below by measuring the pumps swash angle movement at different pressures.



Dynamic characteristic of flow control *



* Curve shown exaggerated

	Time on-stroke [ms]		Time de-stroke [ms]	
	stand-by to 50 bar	stand-by to 350 bar	50 bar to stand-by	350 bar to stand-by
PV360	500	690	830	50

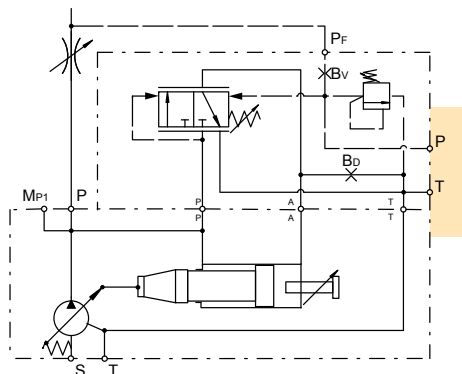
Pressure adjustment range	15 to 420 bar
Factory setting pressure	50 bar
Differential pressure adjustment range	10 to 40 bar
Factory setting differential pressure	10 bar
Control oil consumption	Max 8.0 l/min
Typically pilot flow	approx 1,5 l/min

Load Sensing Control with NG6 Interface

Control option MF1

With code MF1 the remote pressure control has a valve interface size NG 6 DIN 24340 (CETOP 03 acc. RP35H, NFPA D03) on the top side.

This interface allows the mounting of accessories like multiple pressure selectors without the need of external piping and valve mounting.

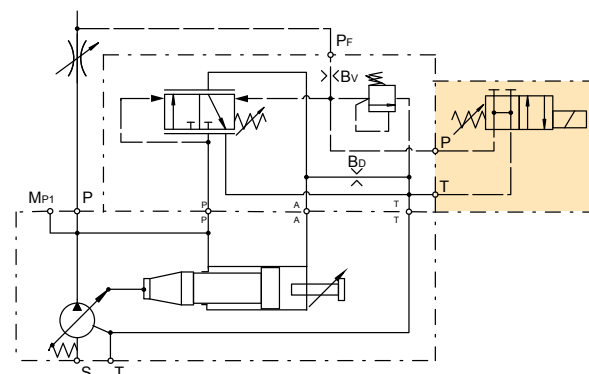


Load Sensing Control with Electrical Unloading

Control option MFW

With code MFW a solenoid operated directional control valve (D1VW002KNJW) for electrical unloading is mounted on the control top side.

When the solenoid is de-energised, the pump compensates at a stand-by pressure of typically 15 bar. When the solenoid is energised, the pump compensates at the pressure adjusted on the integrated pilot valve.

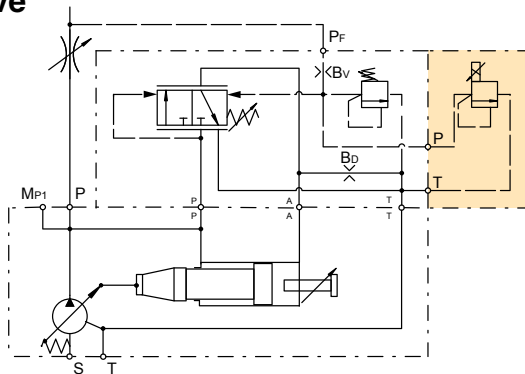


Load Sensing Control with Proportional Pilot Valve

Control option MFK

With code MFK a proportional pilot valve of type PVACRE...K35 (see page 43) is mounted on the top side interface.

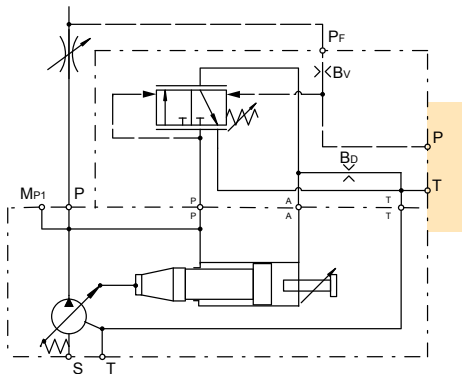
This allows a variation of the pump compensating pressure between 20 and 350 bar by an electrical signal.



Load Sensing Control without Integrated Pressure Pilot Valve

Control option MFZ

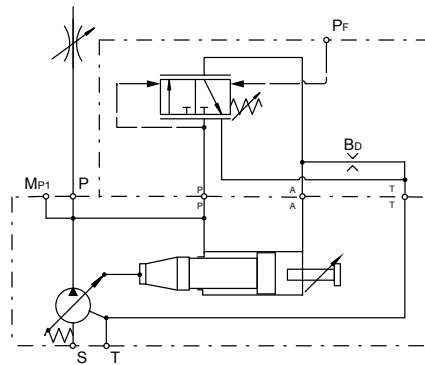
Control MFZ has no integrated pilot valve but a NG6 DIN 24340 interface topside.



This version is recommended for valve accessories.

Control option MFB

Control MFB has no integrated pilot valve.

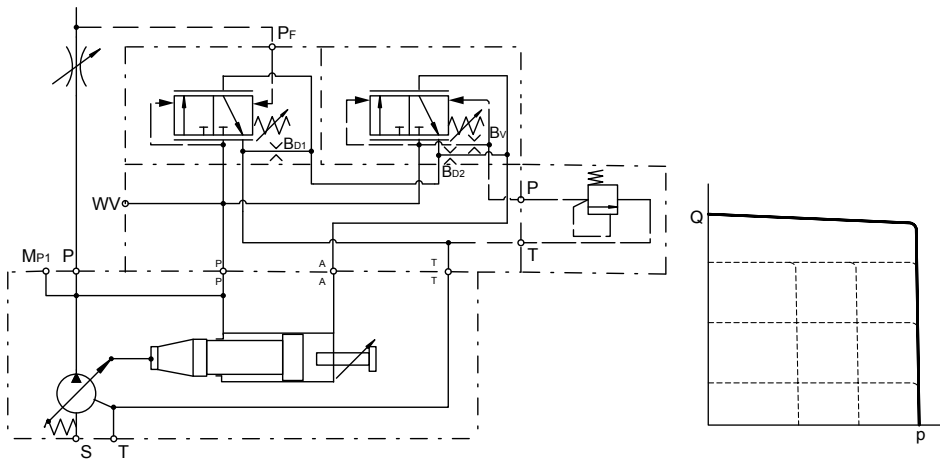


2 Spool Load Sensing Control

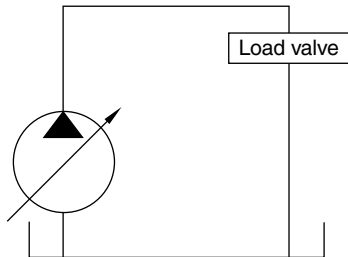
Control option MTP

The pilot pressure of the load sensing control is taken from a load sensing port in the hydraulic system. It is used to match pump flow to system demands. With the 2 spool control the interaction of the two control functions is avoided by using two separate control valves for flow and pressure compensation.

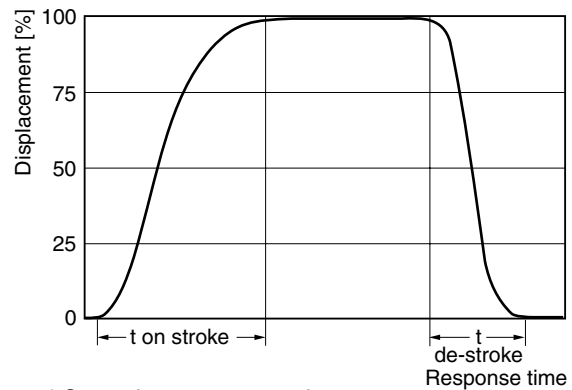
Control schematics



Response times of the pump are collected from a circuit as below by measuring the pumps swash angle movement at different pressures.



Dynamic characteristic of flow control *



* Curve shown exaggerated

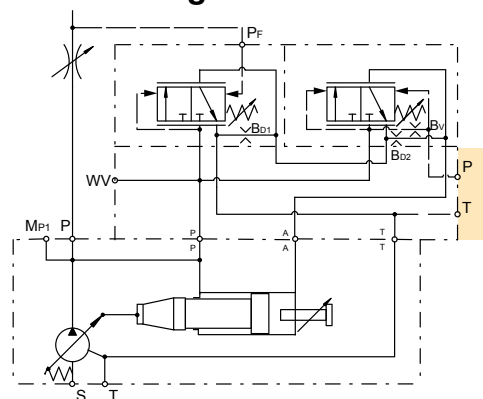
	Time on-stroke [ms]		Time de-stroke [ms]	
	stand-by to 50 bar	stand-by to 350 bar	50 bar to stand-by	350 bar to stand-by
PV360	920	670	1000	170

Pressure adjustment range	15 to 420 bar
Factory setting pressure	50 bar
Differential pressure adjustment range	10 to 40 bar
Factory setting differential pressure load sensing	10 bar
Factory setting differential pressure, pressure control	15 bar
Control oil consumption	Max 8.0 l/min
Typically pilot flow	approx 1,5 l/min

**2 Spool Load Sensing Control with NG6 Interface without Integrated Pressure Pilot Valve
 Control option MT1 & MTZ**

Control MT1 & MTZ has no integrated pressure pilot valve but NG 6 DIN 24340 (CETOP 03 acc. RP35H, NFPA D03) on the top side.

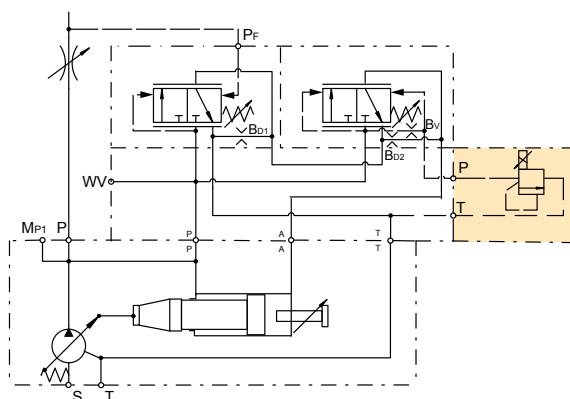
This interface allows the mounting of accessories like multiple pressure selectors without the need of external piping and valve mounting.



**2 Spool Load Sensing Control with Proportional Pilot Valve
 Control option MTK**

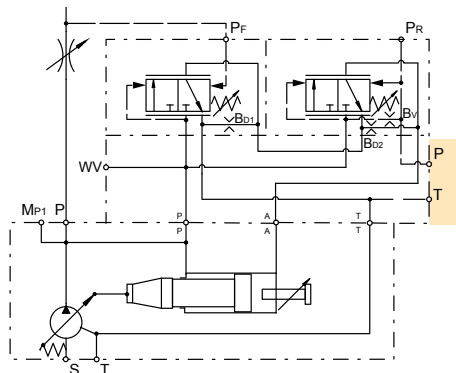
With code MTK a proportional pilot valve of type PVACRE...K35 (see page 43) is mounted on the top side interface.

This allows a variation of the pump compensating pressure between 20 and 350 bar by an electrical signal.



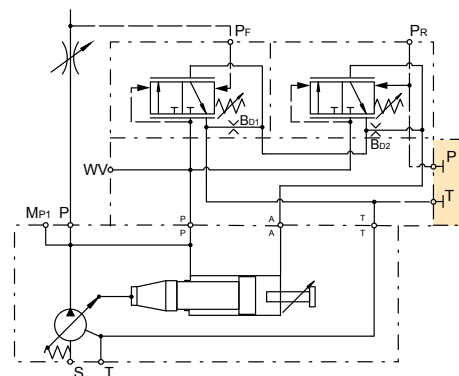
**2 Spool Load Sensing Control without Integrated Pressure Pilot Valve
 Control option MT2**

Control MT2 has a valve interface NG6 DIN 24340 on the top side and remote pressure port internal supply.



**2 Spool Load Sensing Control without Integrated Pressure Pilot Valve
 Control option MT3**

Control MT3 with pressure remote port external supply.

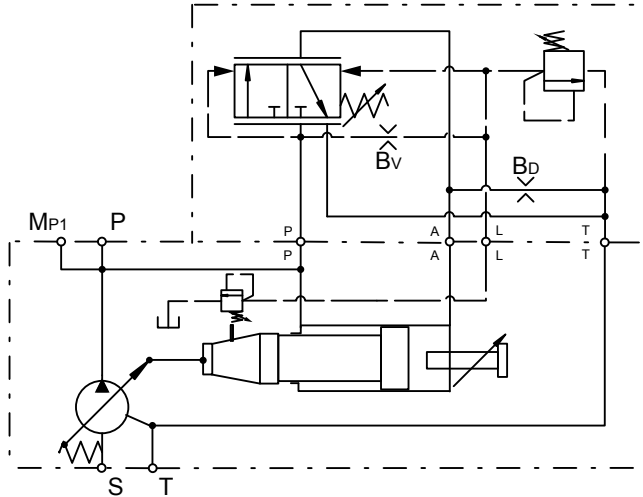


Horse Power/Torque Controls with Pressure Control

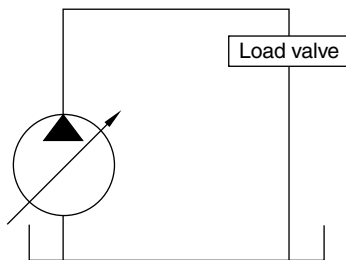
Control option *LC

The horse power control type *L* provides the benefit of the pressure control, plus the ability to limit the input power the pump will draw. These controls are beneficial when the power available from the prime mover for the hydraulics is limited or the application power demand has both high flow/low pressure and low flow/high pressure duty cycles.

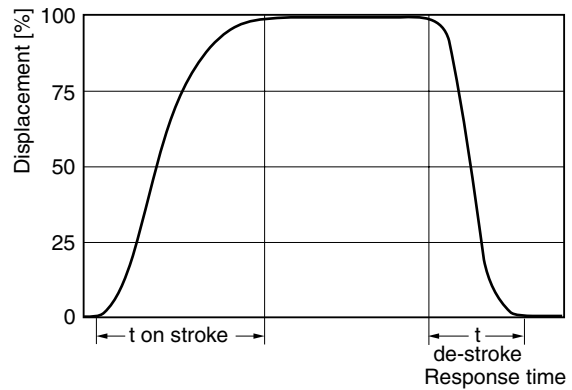
Control schematics



Response times of the pump are collected from a circuit as below by measuring the pumps swash angle movement at different pressures.



Dynamic characteristic of flow control *



* Curve shown exaggerated

	Time on-stroke [ms]		Time de-stroke [ms]	
	against 50 bar	against 350 bar	zero stroke 50 bar	zero stroke 350 bar
PV360	90	90	100	100

Pressure adjustment range	15 to 350 bar
Factory setting pressure	350 bar
Differential pressure adjustment range	10 to 40 bar
Factory setting differential pressure	15 bar
Control oil consumption	Max 8.0 l/min
Typically pilot flow	approx 1,5 l/min

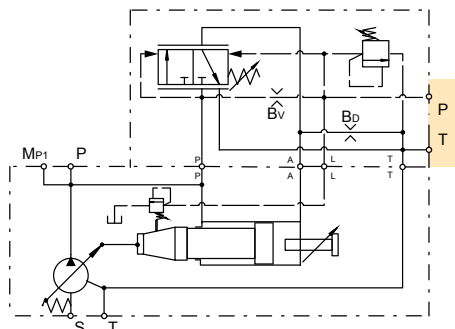
See Horse Power characteristic curves on page 30

Horse Power/Torque Control with NG6 Interface

Control option *L1

With code *L1 the horse power control has a valve interface size NG 6 DIN 24340 (CETOP 03 acc. RP35H, NFPA D03) on the top side.

This interface allows the mounting of accessories like multiple pressure selectors without the need of external piping and valve mounting.

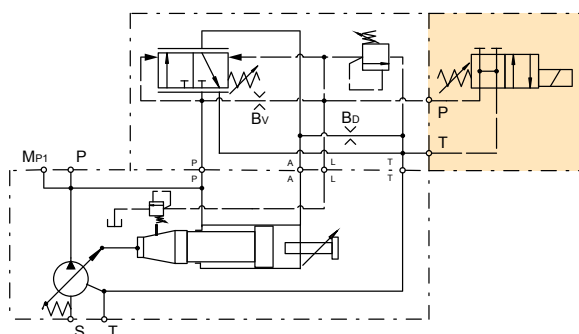


Horse Power/Torque Control with Electrical Unloading

Control option *LW

With code *LW a solenoid operated directional control valve (D1VW002KNJW) for electrical unloading is mounted on the control top side.

When the solenoid is de-energised, the pump compensates at a stand-by pressure of typically 15 bar. When the solenoid is energised, the pump compensates at the pressure adjusted on the integrated pilot valve.

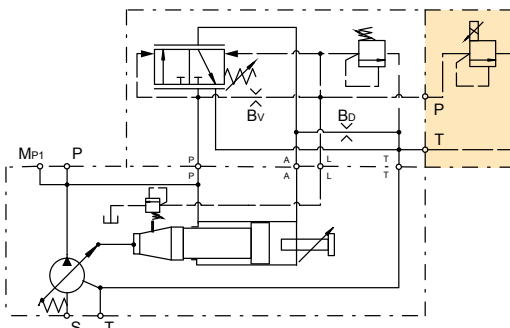


Horse Power/Torque Control with Proportional Pilot Valve

Control option *LK

With code *LK a proportional pilot valve of type PVACRE...K35 (see page 43) is mounted on the top side interface.

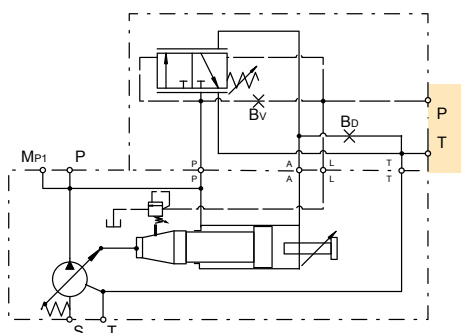
This allows a variation of the pump compensating pressure between 20 and 350 bar by an electrical signal.



Horse Power/Torque Control without Integrated Pressure Pilot Valve

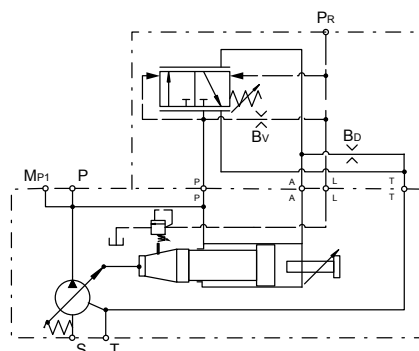
Control option *LZ

Control *LZ has no integrated pilot valve but a NG6 DIN 24340 interface topside.



Control option *LB

Control *LB has no integrated pilot valve.



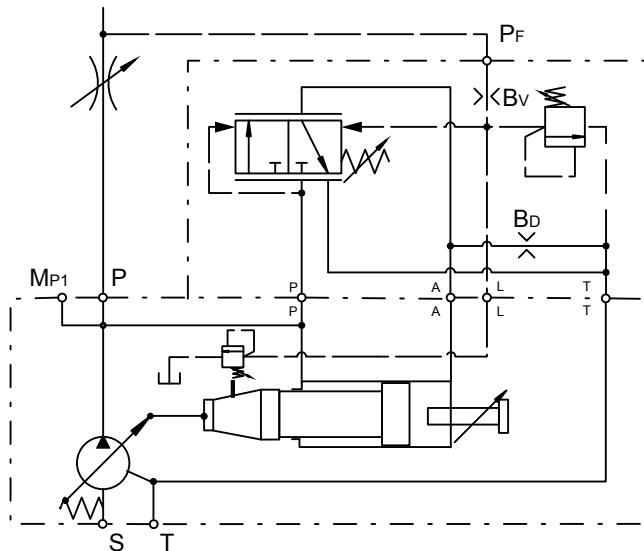
This version is recommended for valve accessories.

Horse Power/Torque Controls with Load Sensing

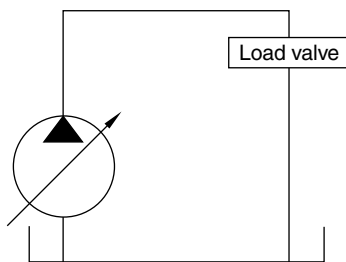
Control option *CC

The horse power control type *C* provides the benefit of the load sensing control, plus the ability to limit the input power the pump will draw. These controls are beneficial when the power available from the prime mover for the hydraulics is limited or the application power demand has both high flow/low pressure and low flow/high pressure duty cycles.

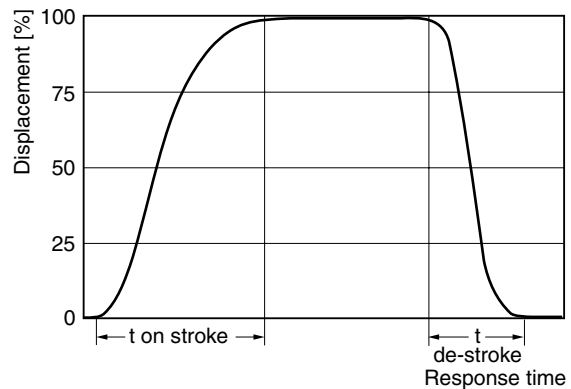
Control schematics



Response times of the pump are collected from a circuit as below by measuring the pumps swash angle movement at different pressures.



Dynamic characteristic of flow control *



* Curve shown exaggerated

	Time on-stroke [ms]		Time de-stroke [ms]	
	stand-by to 50 bar	stand-by to 350 bar	50 bar to stand-by	350 bar to stand-by
PV360	90	90	100	100

Pressure adjustment range	15 to 350 bar
Factory setting pressure	350 bar
Differential pressure adjustment range	10 to 40 bar
Factory setting differential pressure	15 bar
Control oil consumption	Max 8.0 l/min
Typically pilot flow	approx 1,5 l/min

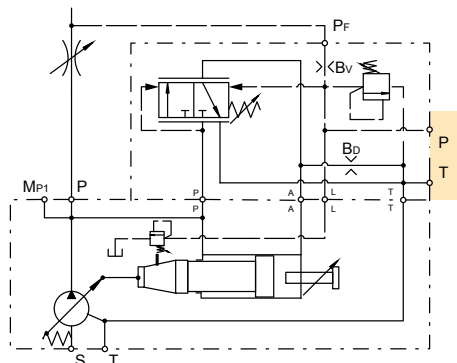
See Horse Power characteristic curves on page 30

Horse Power/Torque Control with Load Sensing & NG6 Interface

Control option *C1

With code *C1 the horse power control has a valve interface size NG 6 DIN 24340 (CETOP 03 acc. RP35H, NFPA D03) on the top side.

This interface allows the mounting of accessories like multiple pressure selectors without the need of external piping and valve mounting.

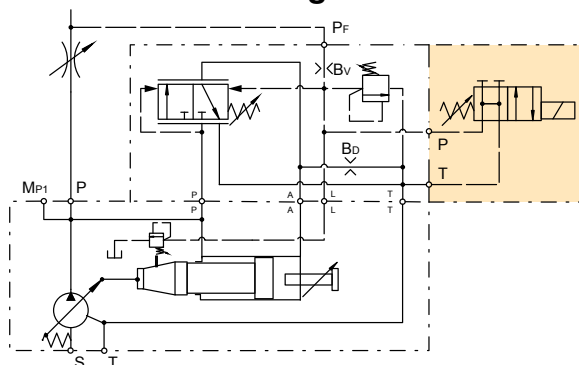


Horse Power/Torque Control with Load Sensing & Electrical Unloading

Control option *CW

With code *CW a solenoid operated directional control valve (D1VW002KNJW) for electrical unloading is mounted on the control top side.

When the solenoid is de-energised, the pump compensates at a stand-by pressure of typically 15 bar. When the solenoid is energised, the pump compensates at the pressure adjusted on the integrated pilot valve.

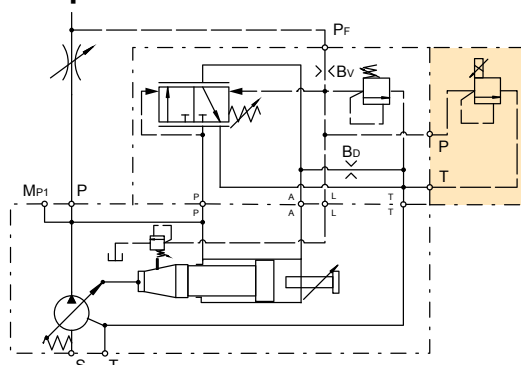


Horse Power/Torque Control with Load Sensing & Proportional Valve

Control option *CK

With code *CK a proportional pilot valve of type PVACRE...K35 (see page 43) is mounted on the top side interface.

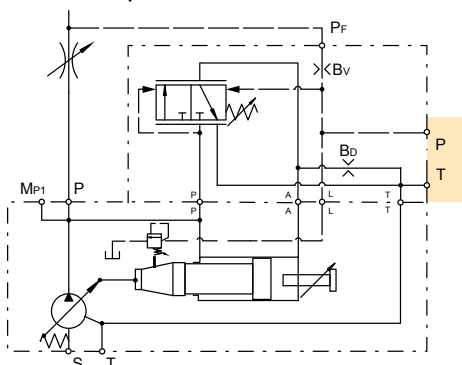
This allows a variation of the pump compensating pressure between 20 and 350 bar by an electrical signal.



Horse Power/Torque Control with Load Sensing without Integrated Pilot Valve

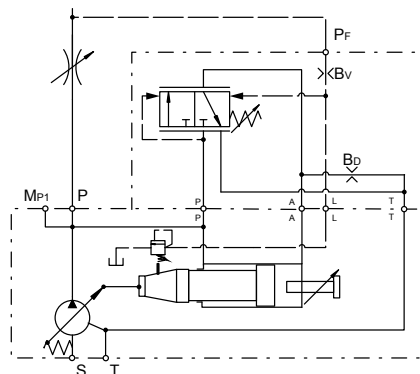
Control option *CZ

Control *CZ has no integrated pilot valve but NG6 DIN 24340 interface topside.

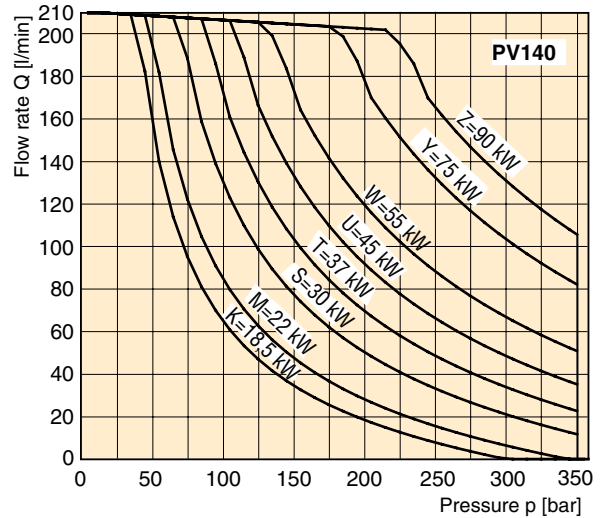
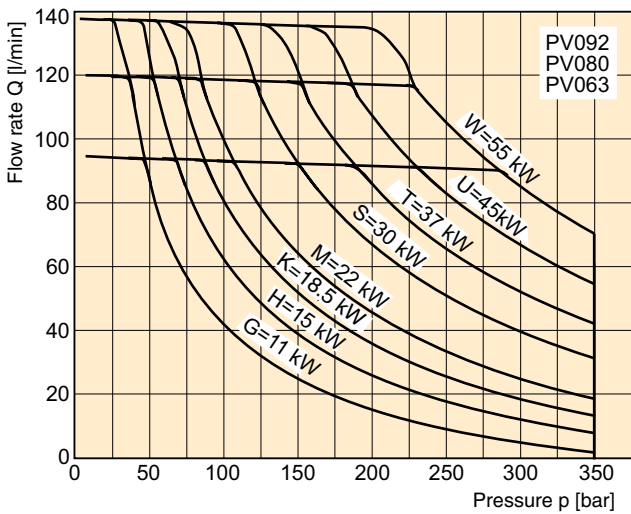
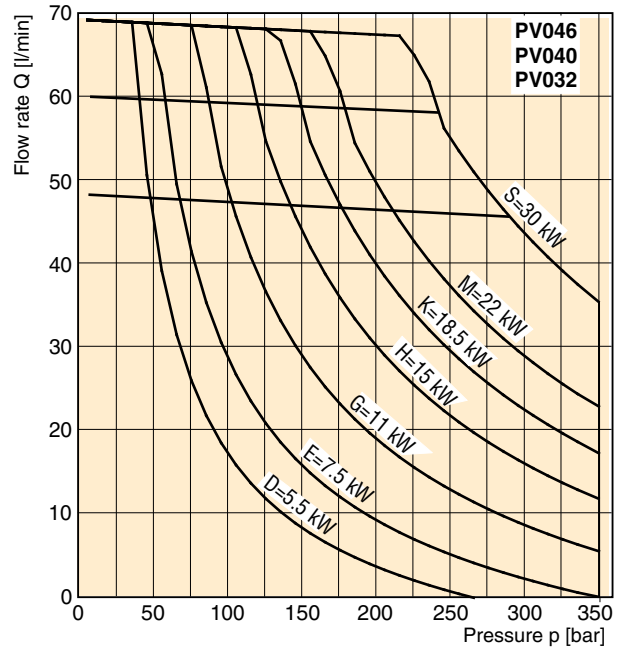
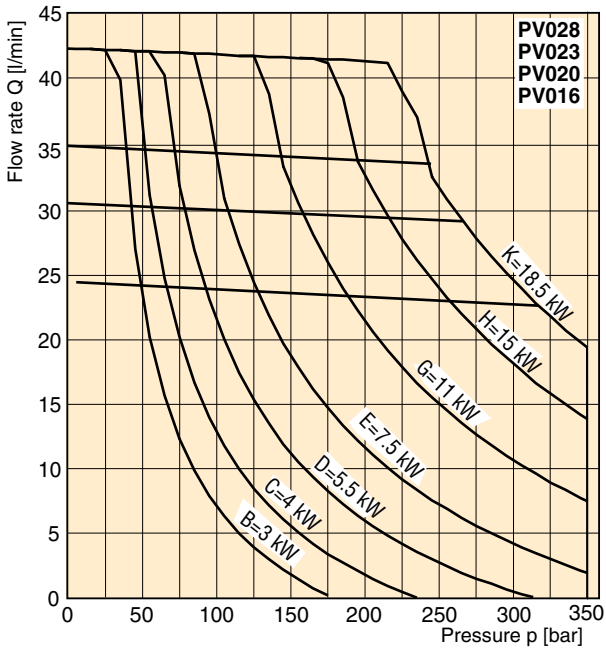


Control option *CB

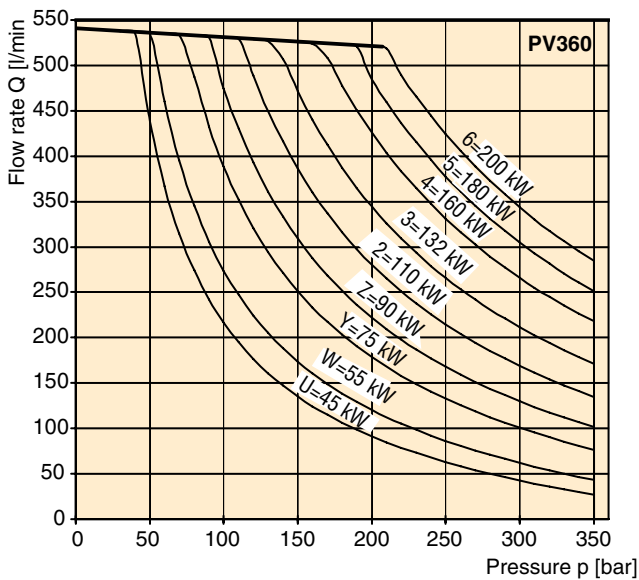
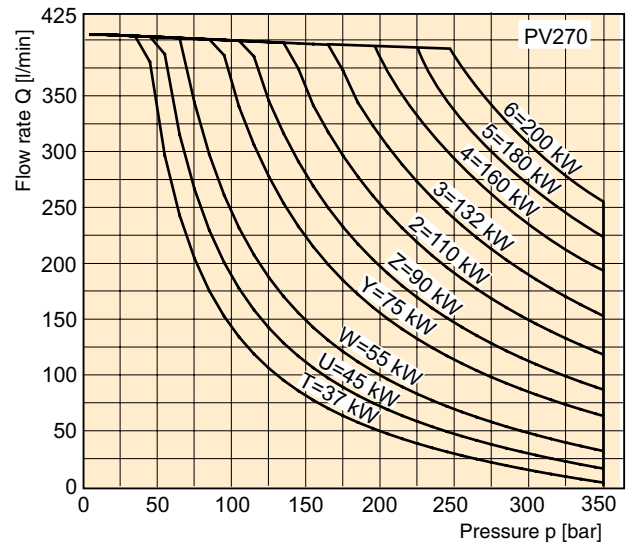
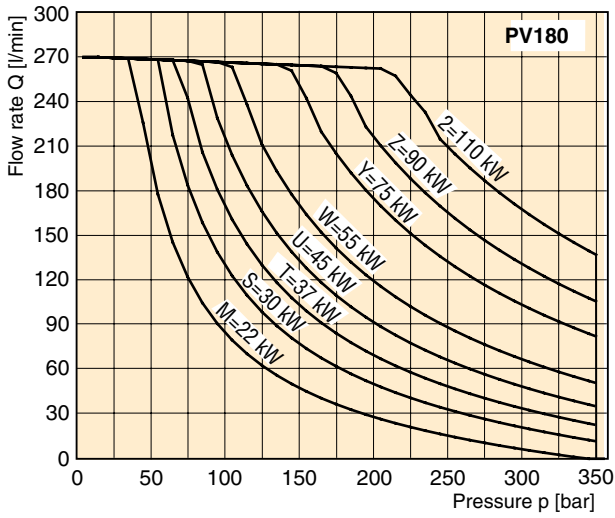
Control *CB has no integrated pilot valve.



Typical Horse Power/Torque Control Characteristics



Typical Horse Power/Torque Control Characteristics



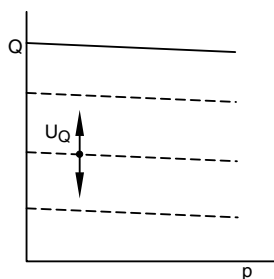
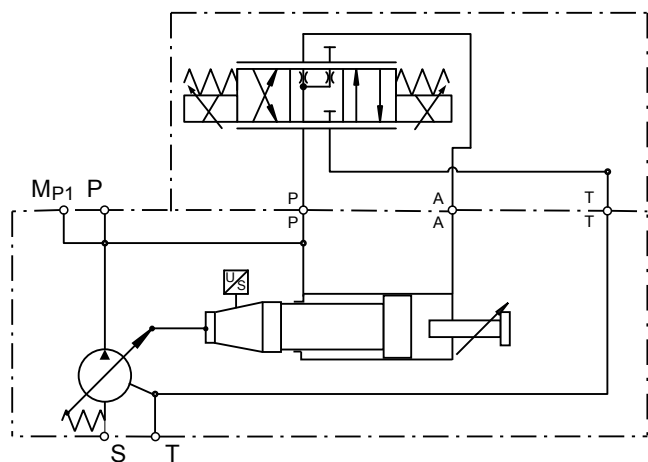
Speed : n = 1500 rev/min
 Temperature : t = 50 °C
 Fluid : HLP, ISO VG46
 Viscosity : $\nu = 46 \text{ mm}^2/\text{s}$ at 40 °C
 Pressure : Maximum 350 bar, depending on HP level

Proportional Displacement Control

Control option FDV

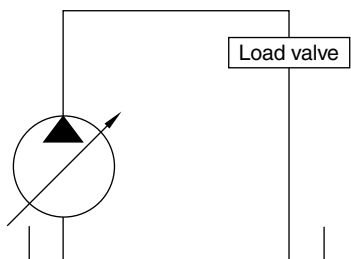
The proportional displacement control allows the adjustment of the pump's output flow by an electrical input signal. The actual displacement of the pump is monitored by an electronic displacement sensor and compared with the commanded displacement in an electronic control module PQDXXA-Z10. The command is given as an electrical input signal (0 - 10 V alternatively 4 - 20 mA) from the supervising machine control or a potentiometer. Version FDV of the proportional control does not provide a pressure compensation. Therefore the hydraulic circuit must be protected by a pressure relief valve.

Control schematics

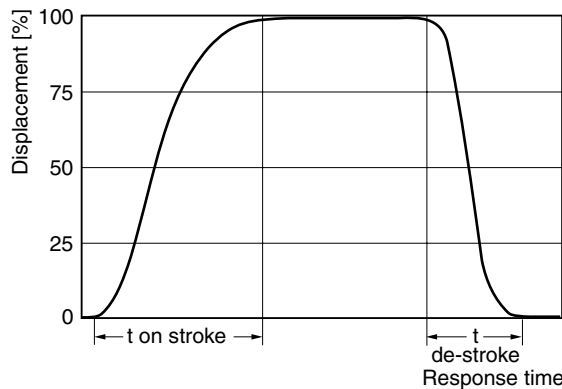


[] = FDV included

Response times of the pump are collected from a circuit as below by measuring the pumps swash angle movement at different pressures.



Dynamic characteristic of flow control *



* Curve shown exaggerated

	Time on-stroke [ms]		Time de-stroke [ms]	
	stand-by to 50 bar	stand-by to 350 bar	50 bar to stand-by	350 bar to stand-by
PV360	255	154	266	183

Pressure adjustment range*	35 to 350 bar
Differential pressure adjustment range *	10 to 40 bar
Factory setting differential pressure *	15 bar
Control oil consumption (FDV only)	Max 0.3 l/min

Internal pilot pressure required to control the pump	
FDV	15 bar
UDR	25 bar
UDK	25 bar
UDM	25 bar

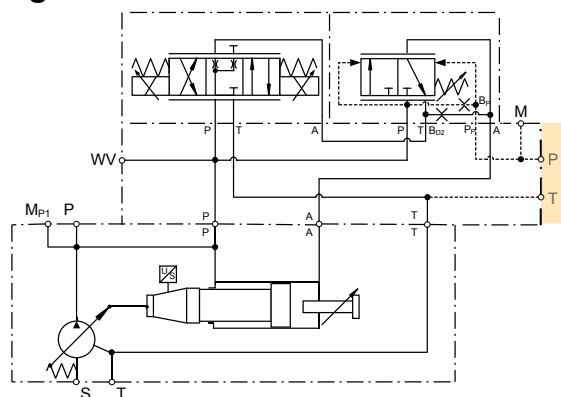
* Data valid for UD* version

Proportional Displacement Control with Overriding Pressure Control

Control option UDR

Control version UDR provides electro- hydraulic displacement control and pressure stage mounted on an elbow manifold.

The elbow manifold provides NG6/D03 interface on top to mount a pressure pilot valve (not included in UDR).

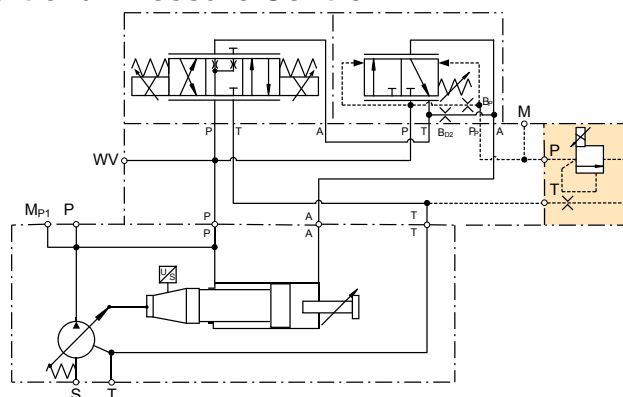


Proportional Displacement Control with Proportional Pressure Control

Control option UDK

Control version UDK features proportional pressure pilot valve PVACRE...K35, which enables for electro-hydraulic p/Q control.

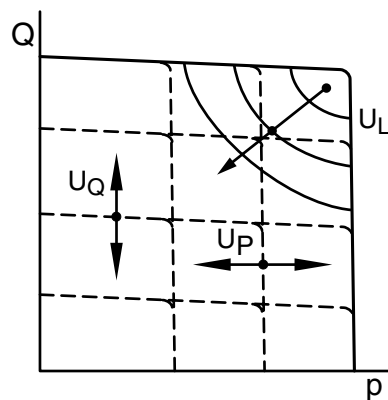
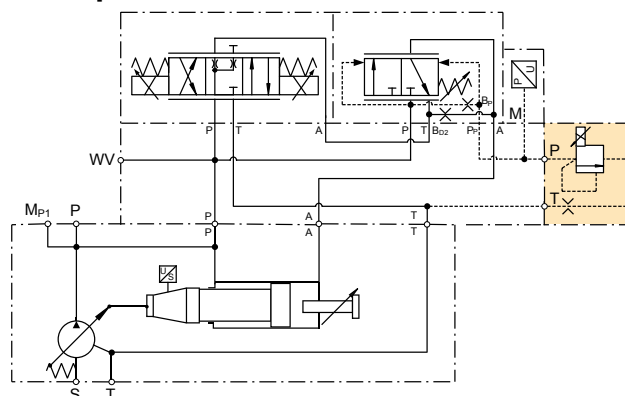
By using the digital module PQDXXA-Z10 it is possible to control the displacement proportionally with overriding open loop proportional pressure control.



Proportional Displacement Control with Closed Loop Pressure Control

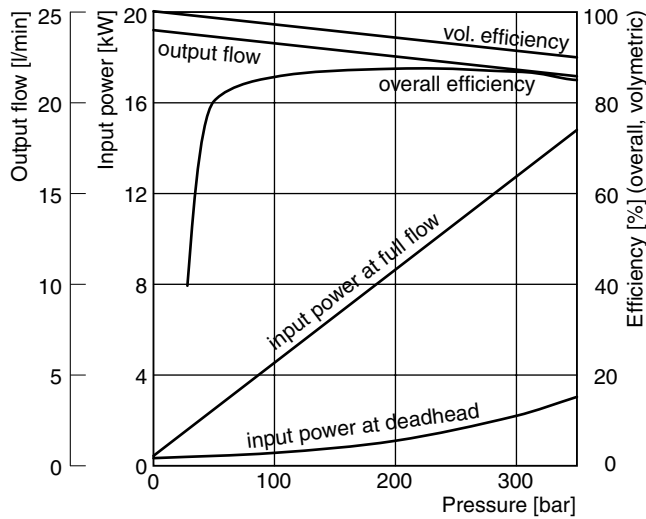
Control option UDM

Control version UDM includes pressure transducer Parker SCP 8181 CE. In combination with control module PQDXXA-Z10 both closed loop pressure control as well as electronic power limitation can be realized.



— = UD* included

**Efficiency, power consumption
PV016**



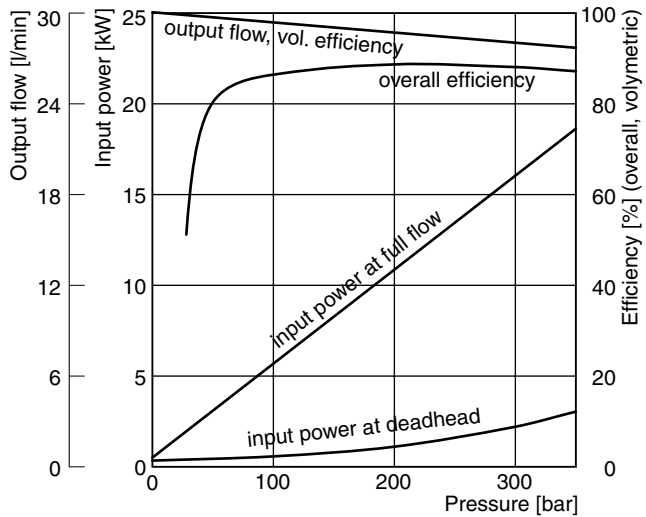
Efficiency and case drain flows PV016, PV020, PV023 and PV028

The efficiency and power graphs are measured at an input speed of $n = 1500$ rpm, a temperature of $50\text{ }^{\circ}\text{C}$ and a fluid viscosity of $30\text{ mm}^2/\text{s}$.

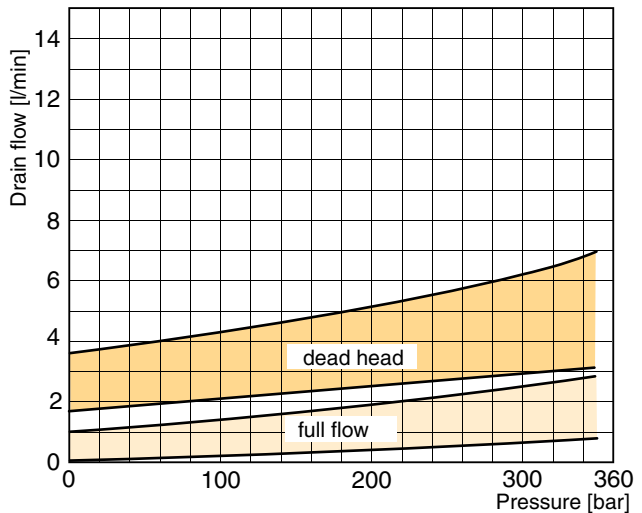
Case drain flow and compensator control flow leave via the drain port of the pump. To the values shown are to be added 1 to 1.2 l/min, if at pilot operated compensators the control flow of the pressure pilot valve also goes through the pump.

Please note: The values shown below are only valid for static operation. Under dynamic conditions and at rapid compensation of the pump the volume displaced by the servo piston also leaves the case drain port. This dynamic control flow can reach up to 40 l/min! Therefore the case drain line is to lead to the reservoir at full size and without restrictions as short and direct as possible.

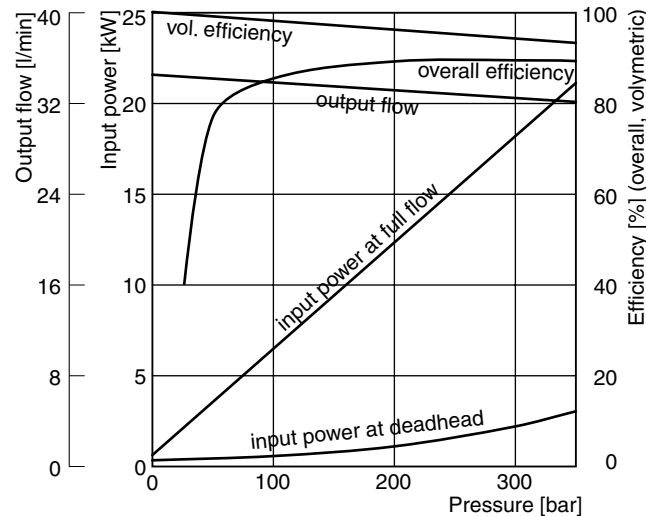
PV020



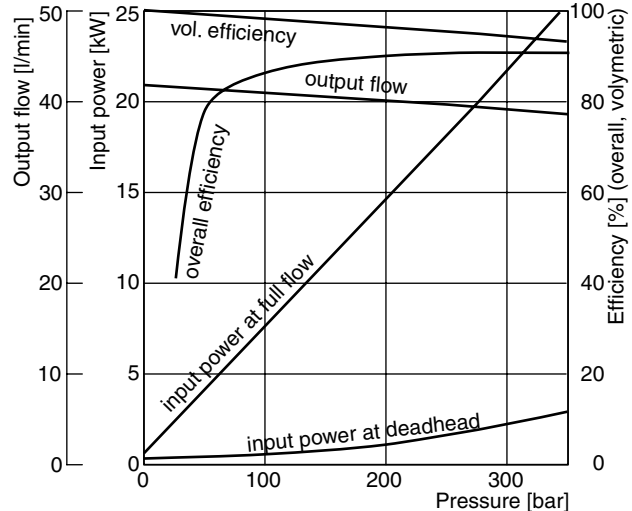
Case drain flow PV016-028 with pressure compensator



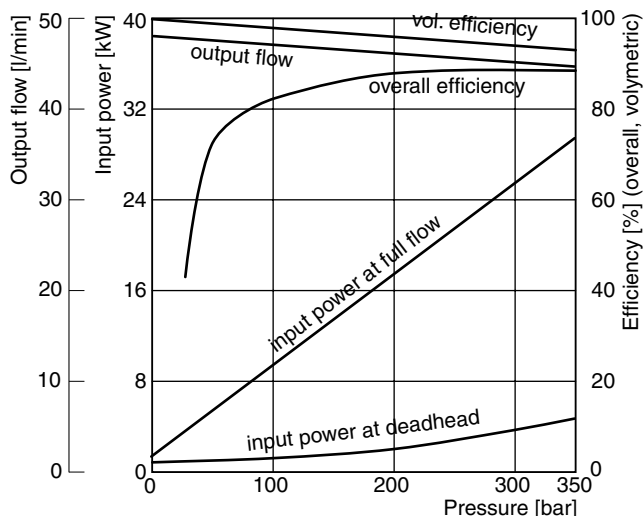
PV023



PV028



Efficiency, power consumption
PV032



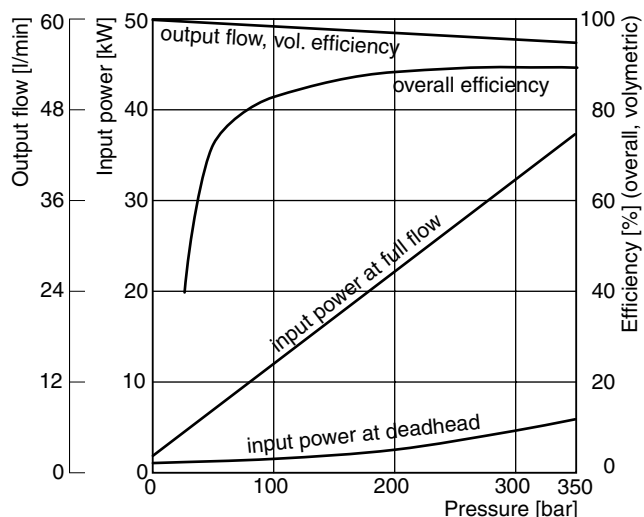
Efficiency and case drain flows PV032 to PV046

The efficiency and power graphs are measured at an input speed of $n = 1500$ rpm, a temperature of $50\text{ }^{\circ}\text{C}$ and a fluid viscosity of $30\text{ mm}^2/\text{s}$.

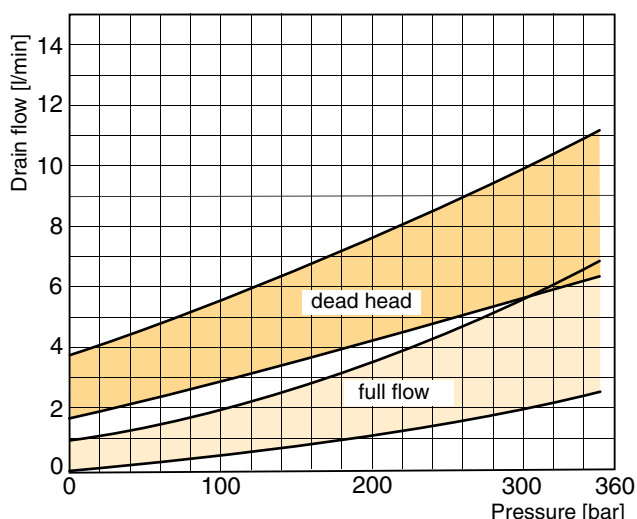
Case drain flow and compensator control flow leave via the drain port of the pump. To the values shown are to be added 1 to 1.2 l/min, if at pilot operated compensators the control flow of the pressure pilot valve also goes through the pump.

Please note: The values shown below are only valid for static operation. Under dynamic conditions and at rapid compensation of the pump the volume displaced by the servo piston also leaves the case drain port. This dynamic control flow can reach up to 60 l/min! Therefore the case drain line is to lead to the reservoir at full size and without restrictions as short and direct as possible.

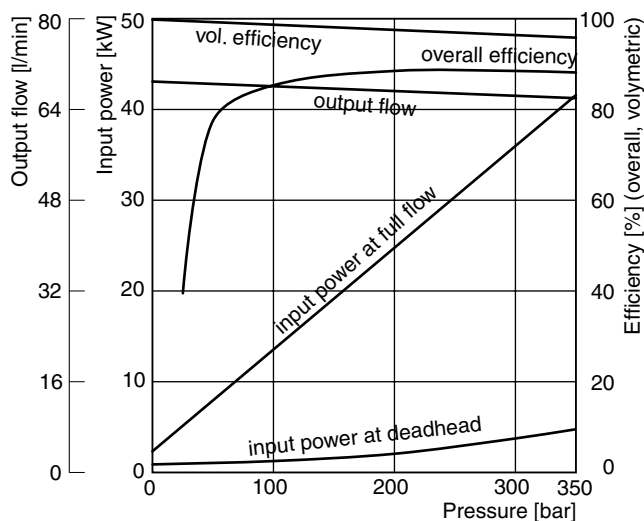
PV040



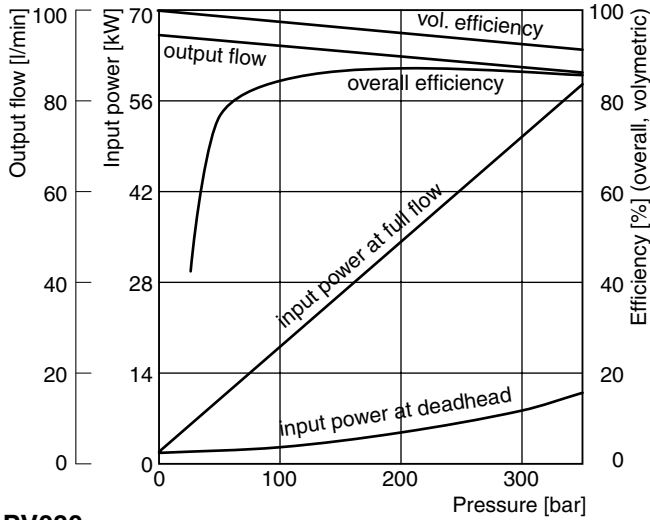
Case drain flow PV032-046 with pressure compensator



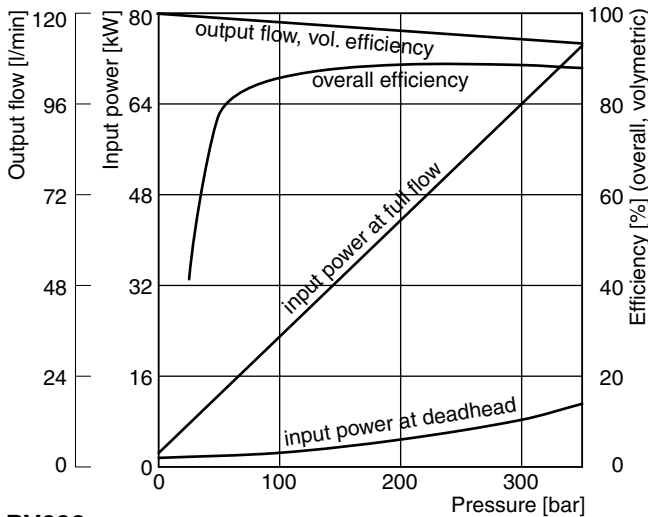
PV046



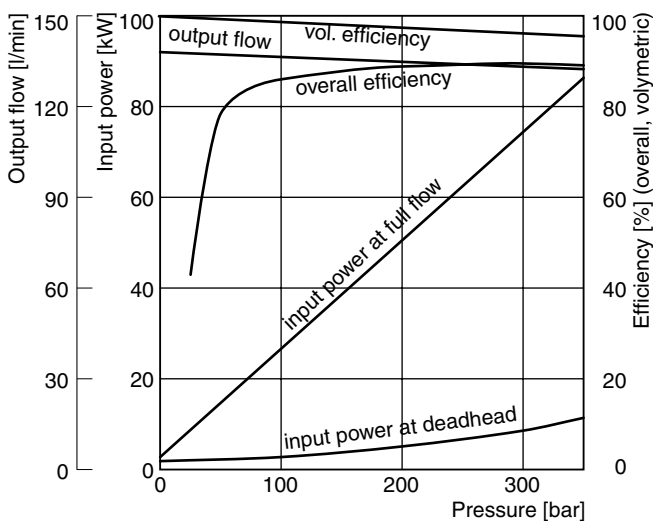
**Efficiency, power consumption
PV063**



PV080



PV092



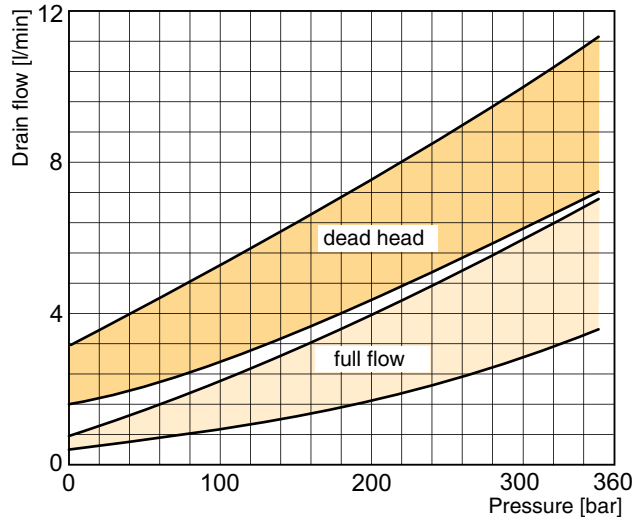
Efficiency and case drain flows PV063, PV080, PV092

The efficiency and power graphs are measured at an input speed of $n = 1500$ rpm, a temperature of $50\text{ }^\circ\text{C}$ and a fluid viscosity of $30\text{ mm}^2/\text{s}$.

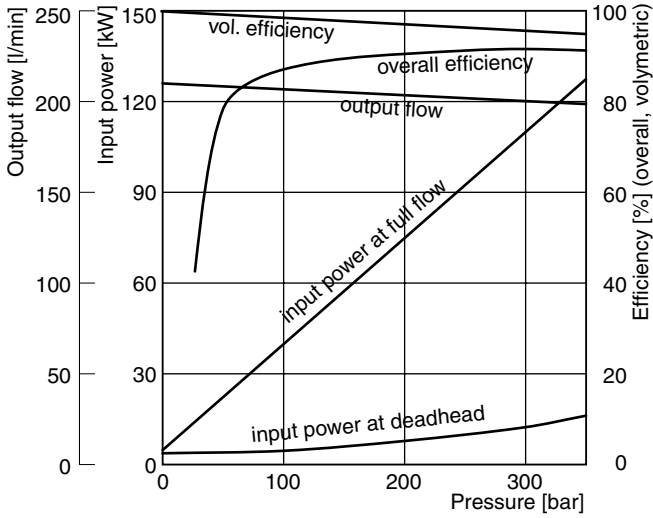
Case drain flow and compensator control flow leave via the drain port of the pump. To the values shown are to be added 1 to 1.2 l/min, if at pilot operated compensators the control flow of the pressure pilot valve also goes through the pump.

Please note: The values shown below are only valid for static operation. Under dynamic conditions and at rapid compensation of the pump the volume displaced by the servo piston also leaves the case drain port. This dynamic control flow can reach up to 80 l/min! Therefore the case drain line is to lead to the reservoir at full size and without restrictions as short and direct as possible.

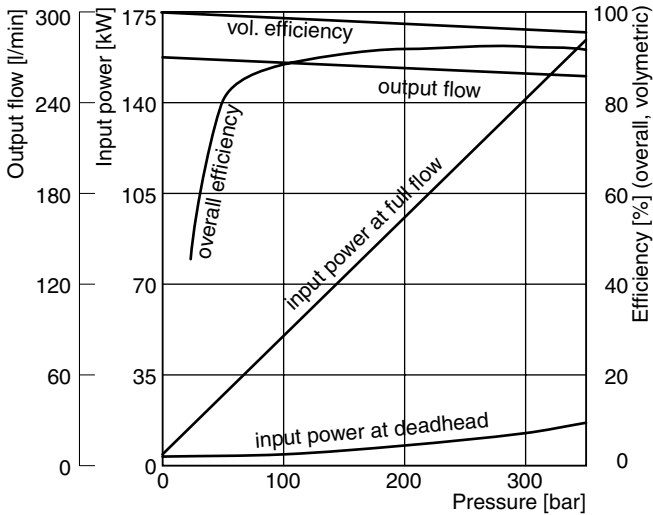
Case drain flows PV063-092



**Efficiency, power consumption
PV140**



PV180



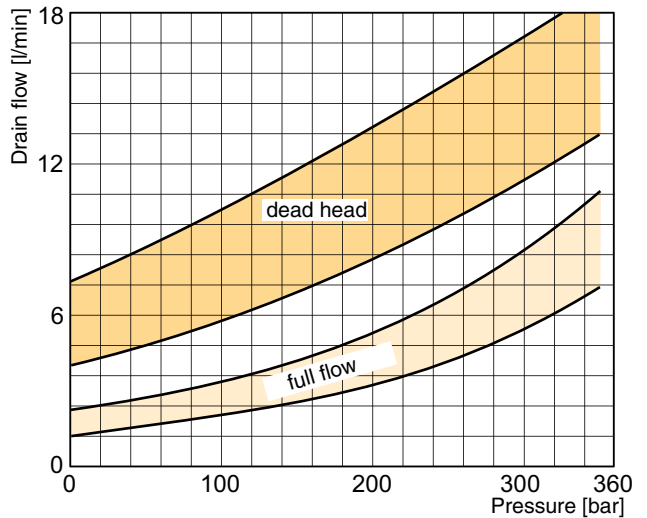
Efficiency and case drain flows PV140, PV180

The efficiency and power graphs are measured at an input speed of $n = 1500$ rpm, a temperature of $50\text{ }^{\circ}\text{C}$ and a fluid viscosity of $30\text{ mm}^2/\text{s}$.

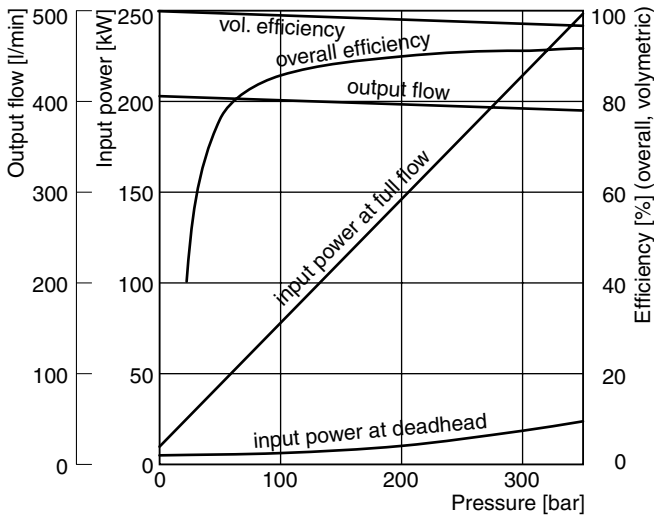
Case drain flow and compensator control flow leave via the drain port of the pump. To the values shown are to be added 1 to 1.2 l/min, if at pilot operated compensators the control flow of the pressure pilot valve also goes through the pump.

Please note: The values shown below are only valid for static operation. Under dynamic conditions and at rapid compensation of the pump the volume displaced by the servo piston also leaves the case drain port. This dynamic control flow can reach up to 120 l/min! Therefore the case drain line is to lead to the reservoir at full size and without restrictions as short and direct as possible.

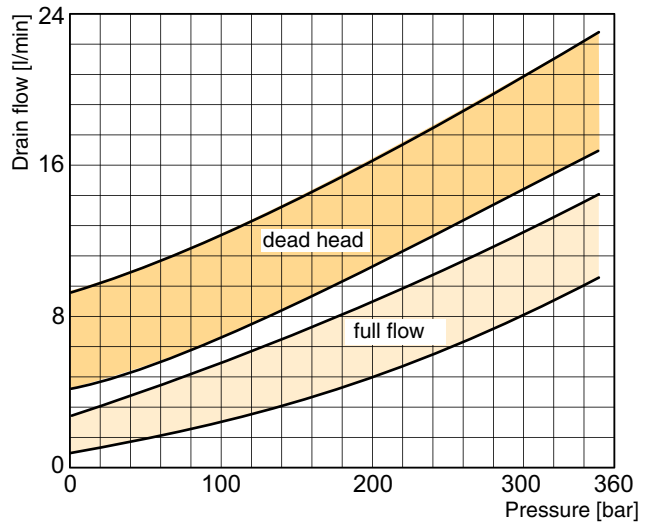
Case drain flows PV140-180



**Efficiency, power consumption
PV270**



Case drain flows PV270



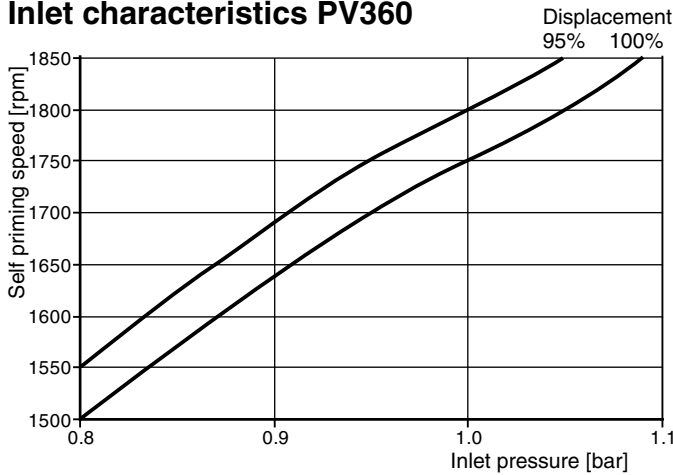
Efficiency and case drain flows PV270

The efficiency and power graphs are measured at an input speed of $n = 1500$ rpm, a temperature of $50\text{ }^{\circ}\text{C}$ and a fluid viscosity of $30\text{ mm}^2/\text{s}$.

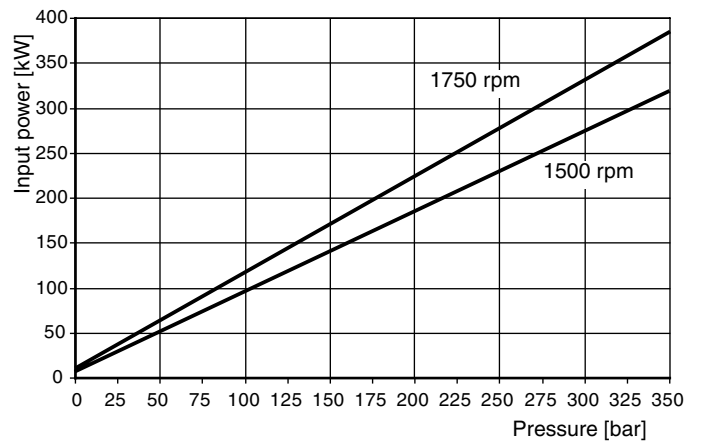
Case drain flow and compensator control flow leave via the drain port of the pump. To the values shown are to be added 1 to 1.2 l/min, if at pilot operated compensators the control flow of the pressure pilot valve also goes through the pump.

Please note: The values shown below are only valid for static operation. Under dynamic conditions and at rapid compensation of the pump the volume displaced by the servo piston also leaves the case drain port. This dynamic control flow can reach up to 120 l/min! Therefore the case drain line is to lead to the reservoir at full size and without restrictions as short and direct as possible.

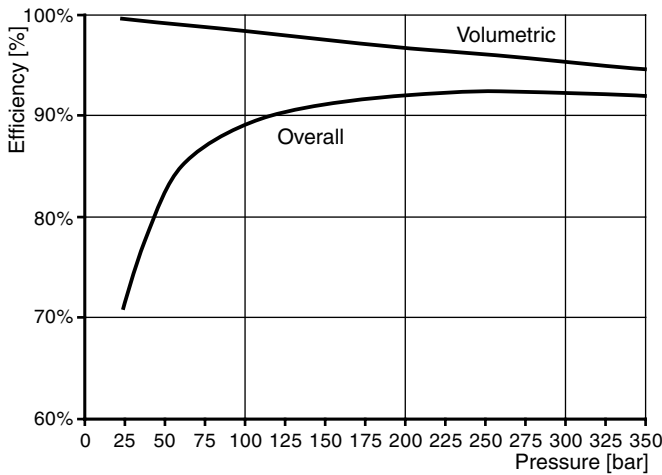
Typical inlet characteristics vs. speed at various percentage displacements
Inlet characteristics PV360



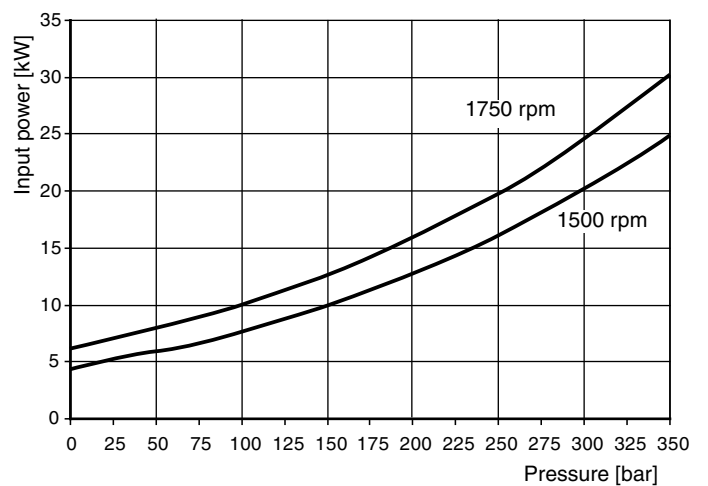
Typical drive power at full displacement
Input power – full stroke PV360



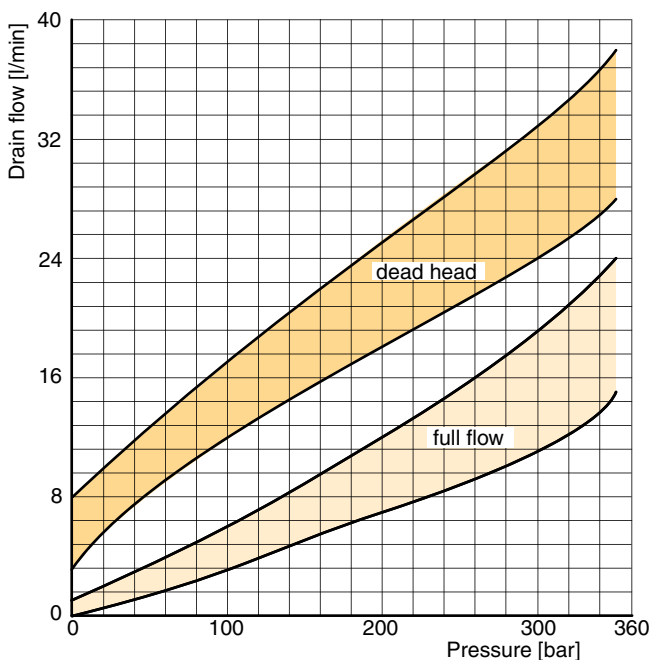
Typical efficiency at full displacement and 1500 rpm PV360



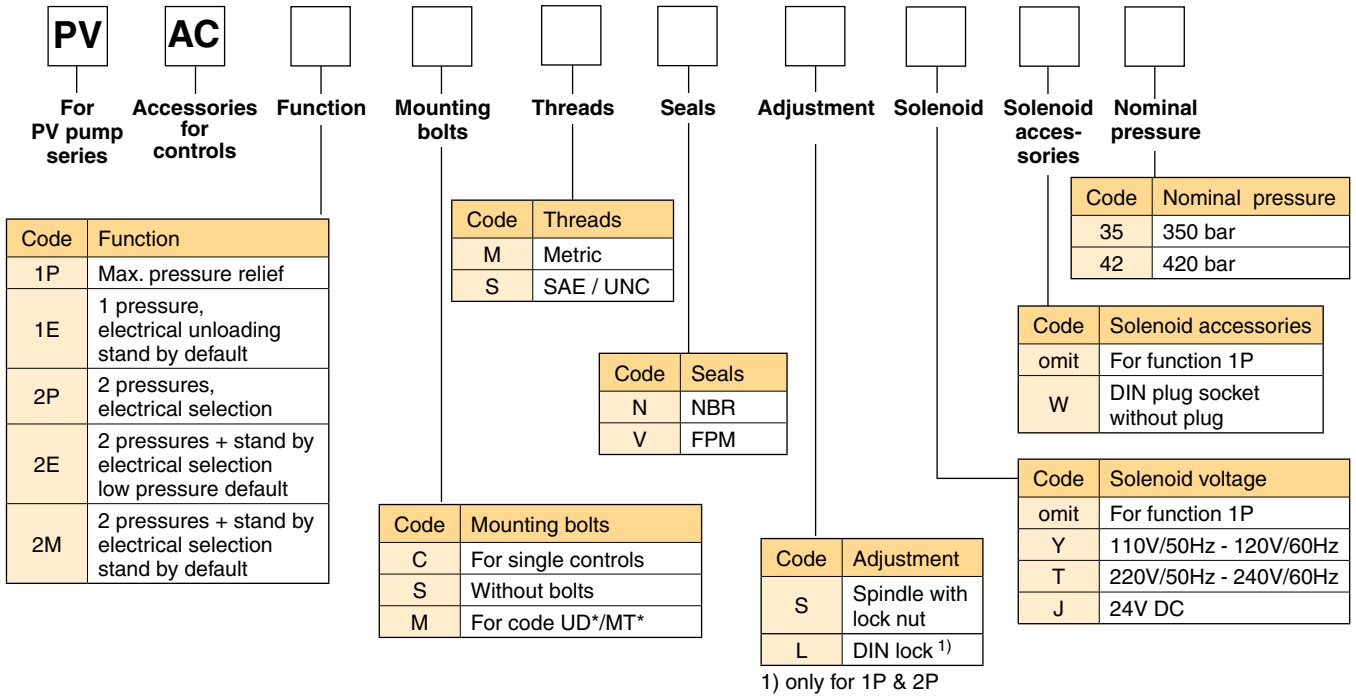
Typical compensated power
Input power – zero stroke PV360



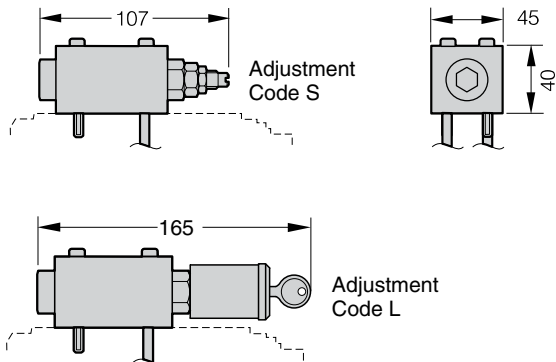
Case drain flows PV360



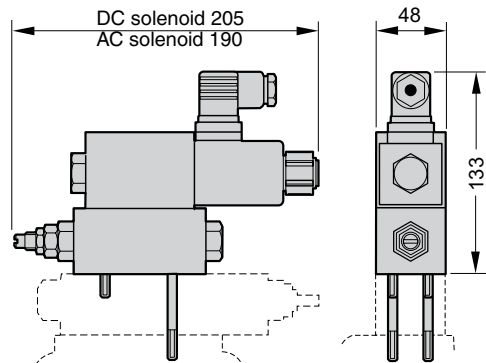
The curves show typical characteristics measured under following conditions:
 Fluid: Mineral oil ISO VG 22 at 32 °C
 Inlet pressure 1,0 bar (absolute), measured at inlet port.



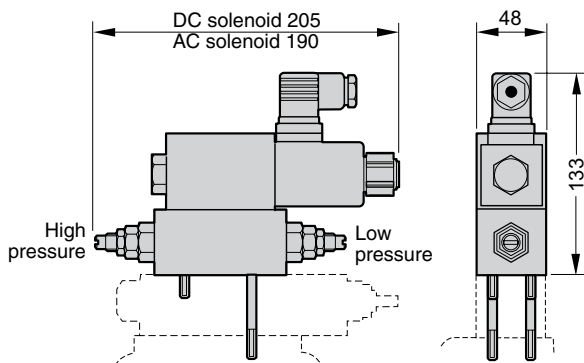
**Dimensions
 PVAC1P***



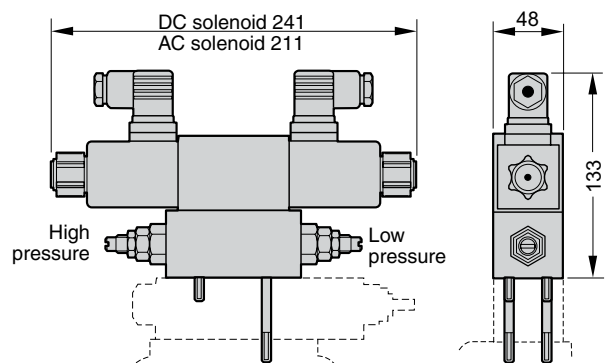
PVAC1E*



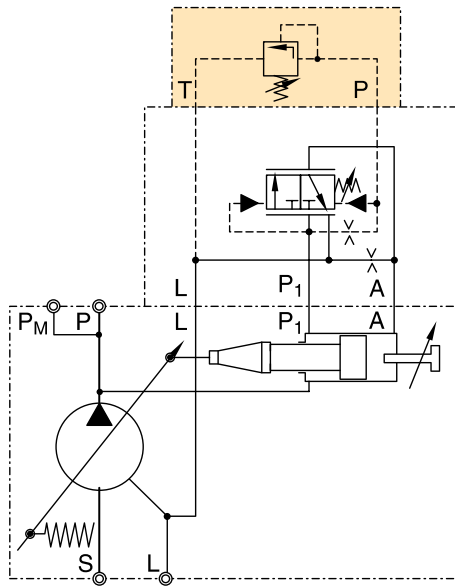
PVAC2P*



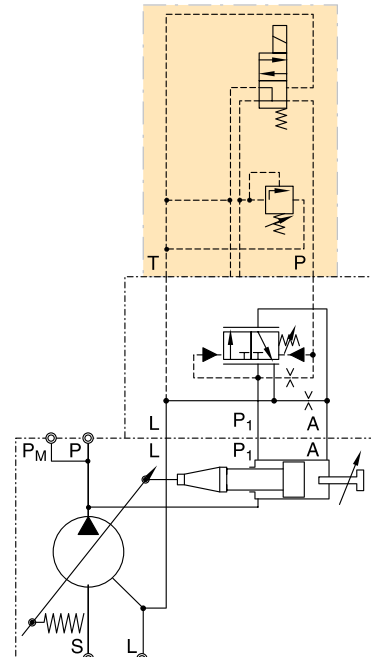
PVAC2M*/PVAC2E*



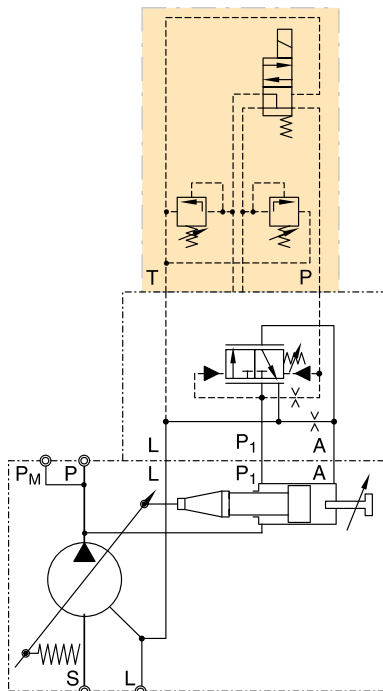
Schematics PVAC1P*



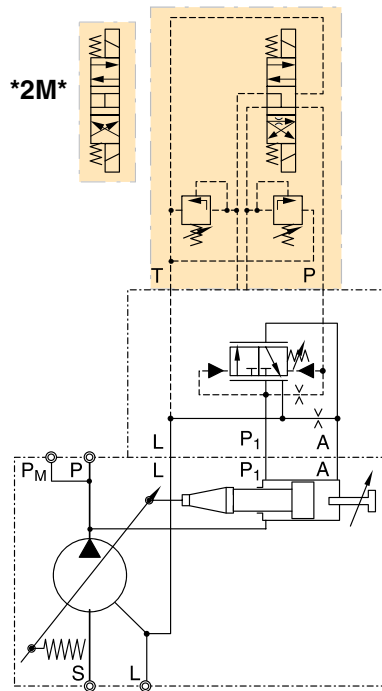
Schematics PVAC1E*



Schematics PVAC2P*



Schematics PVAC2M*/PVAC2E*

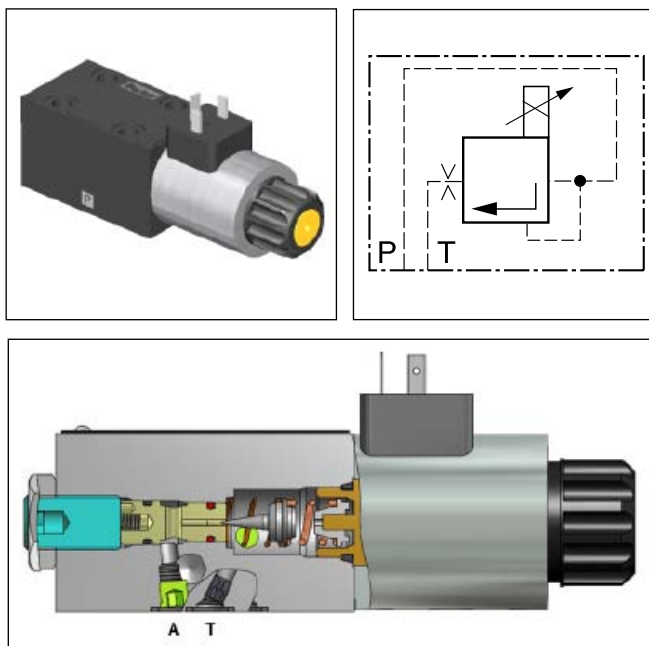


Proportional pressure relief valve PVACRE*

Function

When the pressure in port P exceeds the pressure setting at the solenoid, the poppet opens to port T and limits the pressure in port P to the adjusted level.

The optimum performance can be achieved in combination with the digital amplifier module PCD00A-400 (see catalogue HY11-3500 for reference).



Technical data

General		
Nominal size		DIN NG06 / CETOP03 / NFPA D03
Mounting position		as desired, horizontal mounting preferred
Ambient temperature	[°C]	-20 ... +70
Weight	[kg]	1.8
Hydraulic		
Max. operating pressure	[bar]	Port P up to 420; port T depressurized
Pressure stages	[bar]	350, 420
Fluid		Hydraulic oil as per DIN 51524 ... 525
Viscosity, recommended permitted	[cSt]/ [mm²/s] [cSt]/ [mm²/s]	30 ... 80 12 ... 380
Fluid temperature	[°C]	-20 ... +60
Filtration		ISO 4406 (1999), 18/16/13
Linearity	[%]	±4
Repeatability	[%]	±2
Hysteresis	[%]	±4.5 of p _{max}
Electrical		
Duty ratio	[%]	100 ED
Protection class		IP 65 in accordance with EN 60529 (plugged and mounted)
Nominal voltage	[V]	12 (2.2 A for nominal pressure)
Coil resistance	[Ohm]	4.4 at 20°C
Solenoid connection		Connector as per EN 175301-803
Power amplifier, recommended		PCD00A-400 , PWDXXA

Ordering code proportional pressure relief valve

PV

Pump series PV

AC

Accessories for controller

RE

Prop. pressure valve

□

Mounting bolts

□

Thread option

□

Seal

K

12VDC

□

Nominal pressure

Code	Mounting bolts/ ports
C	For single controller
S	Without bolts
M	For code UD*/MT* design series 45/46

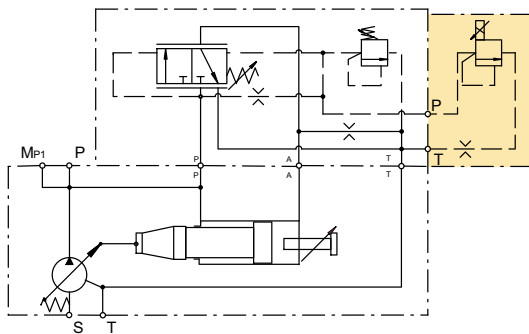
Code	Thread option
M	Metric
S	SAE / UNC

Code	Nominal pressure
35	350 bar
42	420 bar

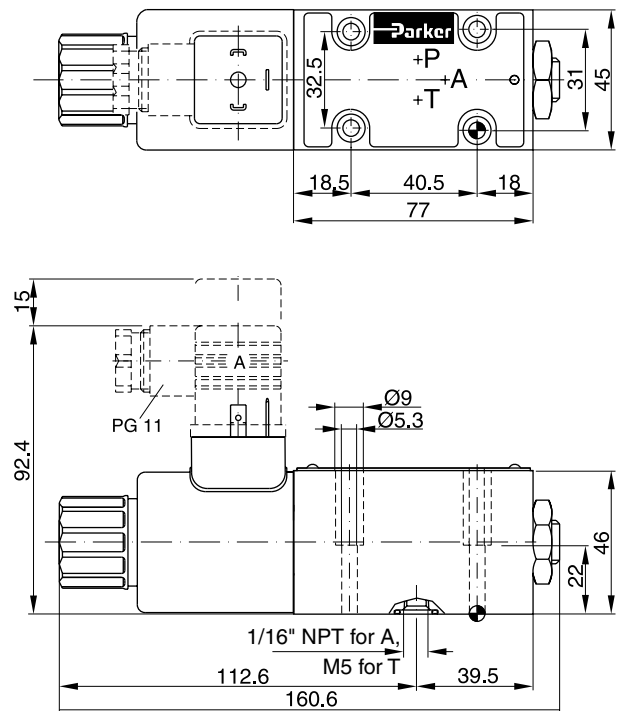
Code	Seal
N	NBR
V	FPM

Schematic PVACRE*

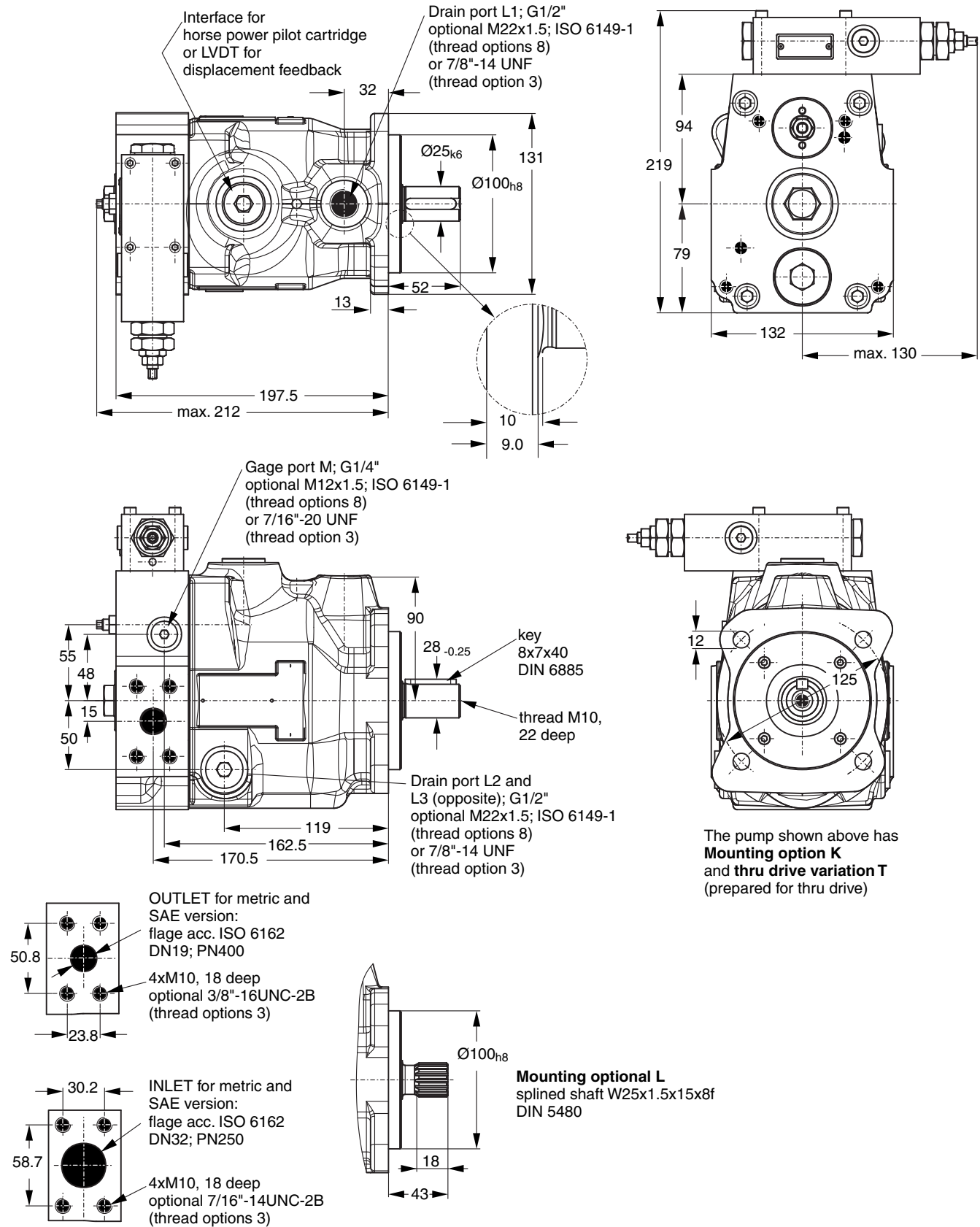
Example for PVACRE* mounted



Dimensions PVACRE*

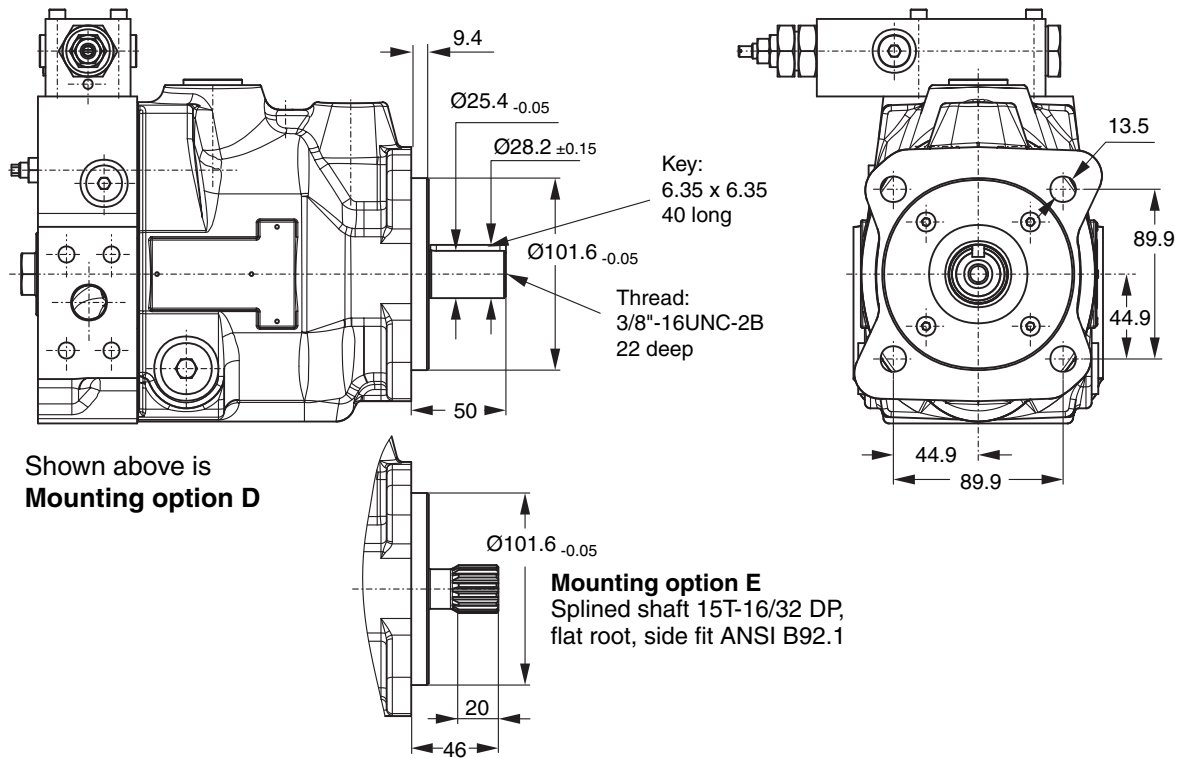


PV016 - 028, metric version

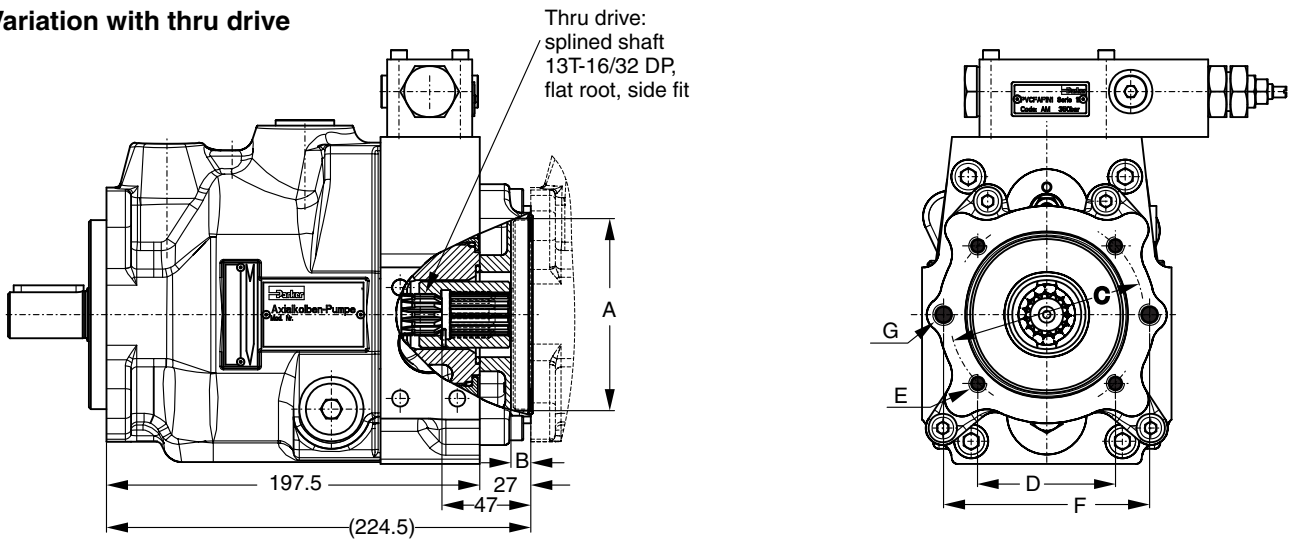


Shown is a clockwise rotating pump with standard pressure compensator. Counter clockwise rotating pumps have inlet, outlet and gage port reversed.

PV016 - 028, SAE version

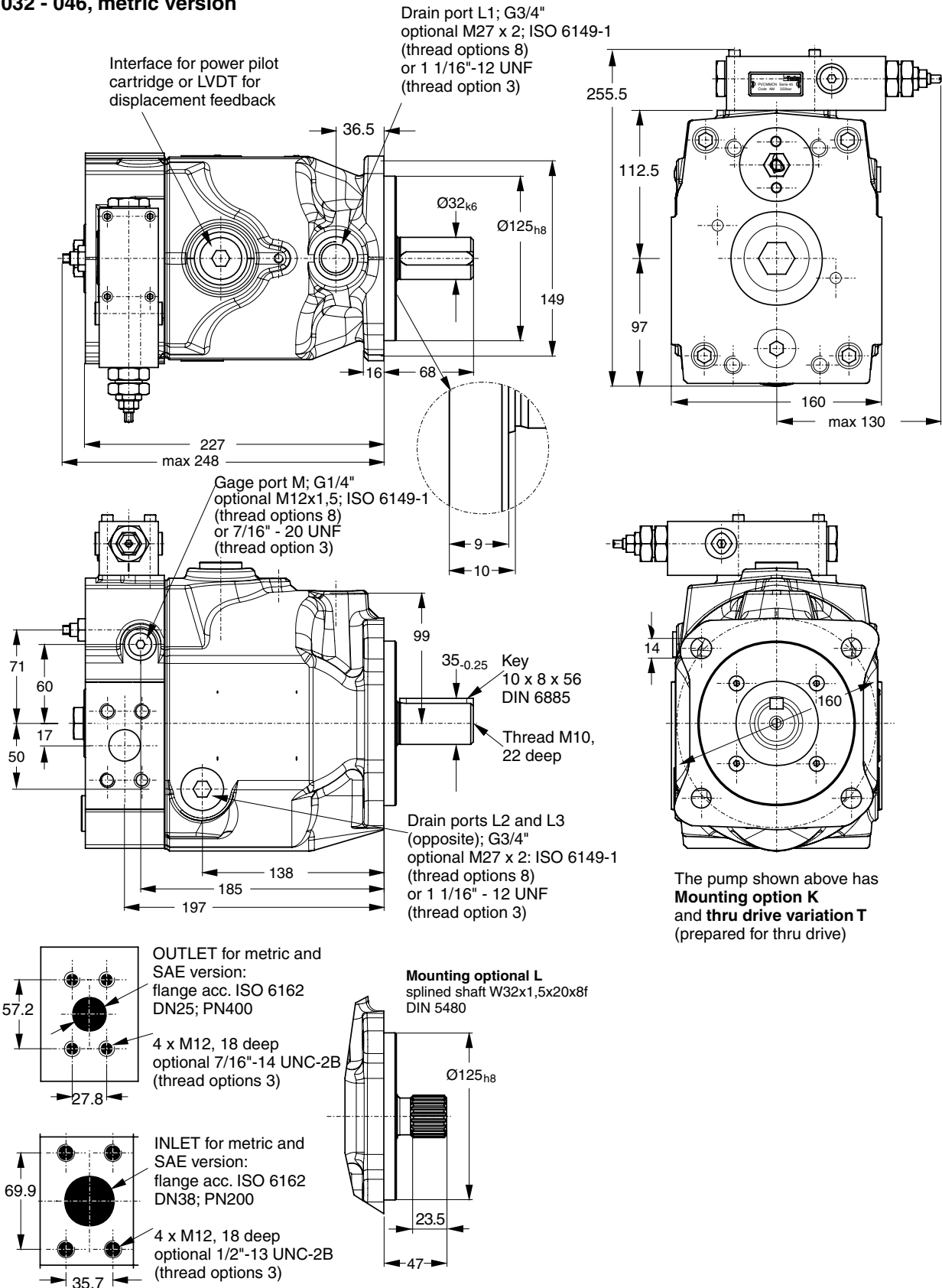


Variation with thru drive



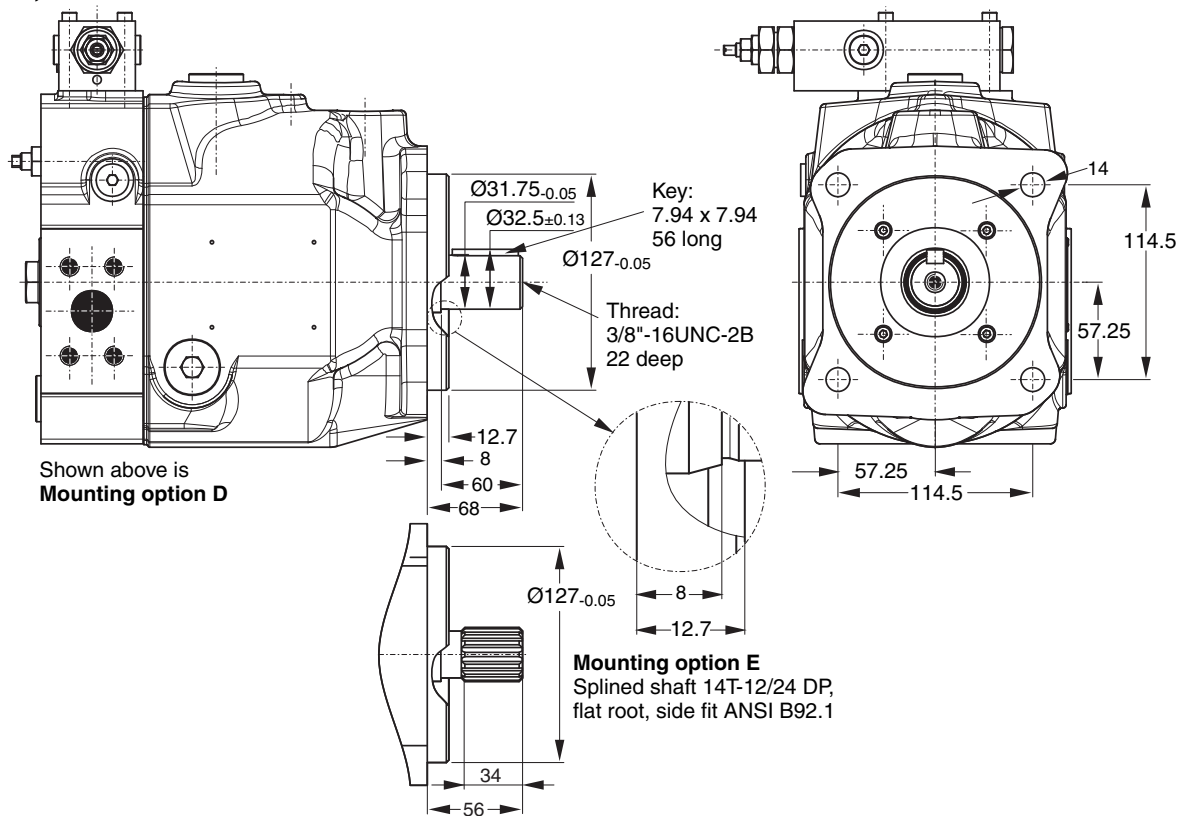
Thru drive adaptors are available with the following dimensions										
Drawing Dimension	A	B	C	D	E		F	G		Remark
					Metr	UNC		Metr	UNC	
Thru drive option										
A	82.55	8	-	-	-	-	106	M10	3/8"-16	SAE A 2-Bolt
B	101.6	10.5	127	89.8	M12	1/2"-13	-	-	-	SAE B 4-Bolt
H	80	8.5	103	72.8	M8	5/16"-18	109	M10	3/8"-16	2/4-Bolt
J	100	10.5	125	88.4	M10	3/8"-16	-	-	-	4-Bolt

PV032 - 046, metric version

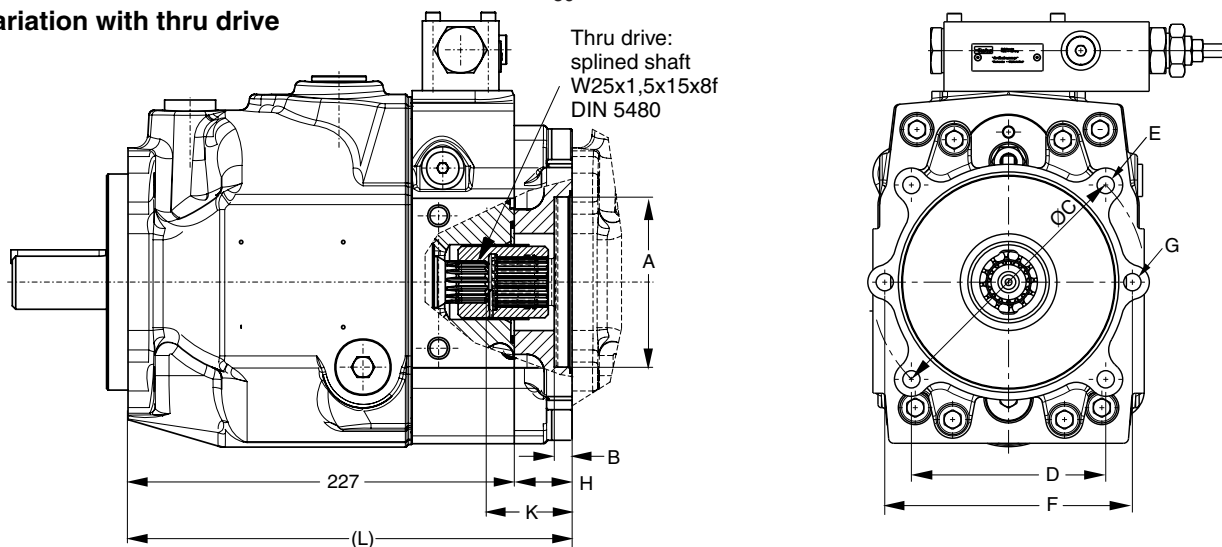


Shown is a clockwise rotating pump with standard pressure compensator. Counter clockwise rotating pumps have inlet, outlet and gage port reversed.

PV032 - 046, SAE version



Variation with thru drive



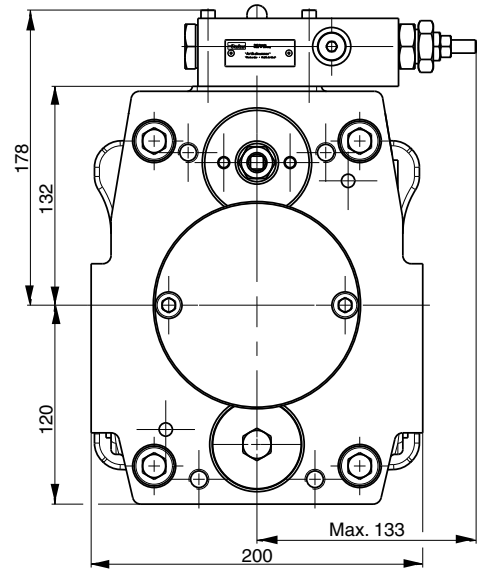
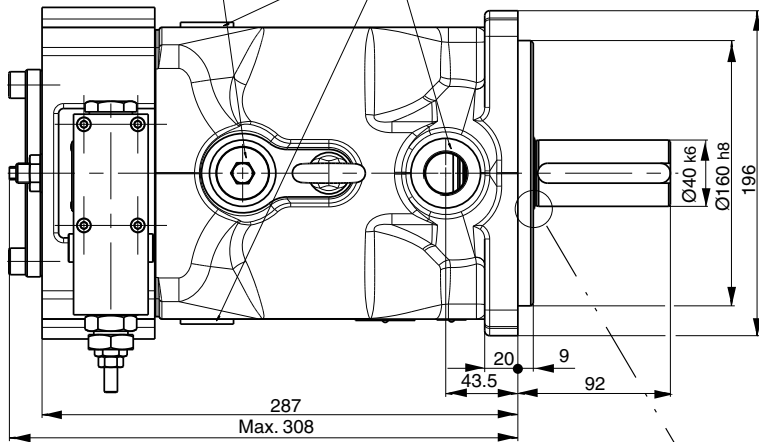
At threads options 3 and 7 the dimensions E and G are UNC - 2B threads.

Thru drive adaptors are available with the following dimensions													
Drawing Dimension Thru drive option	A	B	C	D	E		F	G		H	K	L	Remark
					Metr	UNC		Metr	UNC				
A	82.55	8	-	-	-	-	106	M10	3/8"-16	34	48	261	SAE A 2-Bolt
B	101.6	11	127	89.8	M12	1/2"-13	146	M12	1/2"-13	34	48	261	SAE B 2/4-Bolt
C	127	13.5	162	114.6	M12	1/2"-13	-	-	-	49	63	276	SAE C 4-Bolt
H	80	8.5	103	72.8	M8	5/16"-18	109	M10	3/8"-16	34	48	261	2/4-Bolt
J	100	10.5	125	88.4	M10	3/8"-16	140	M12	1/2"-13	34	48	261	2/4-Bolt
K	125	10.5	160	113.1	M12	1/2"-13	-	-	-	34	48	261	4-Bolt

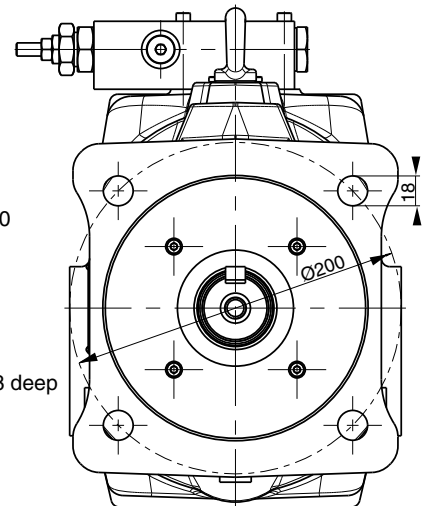
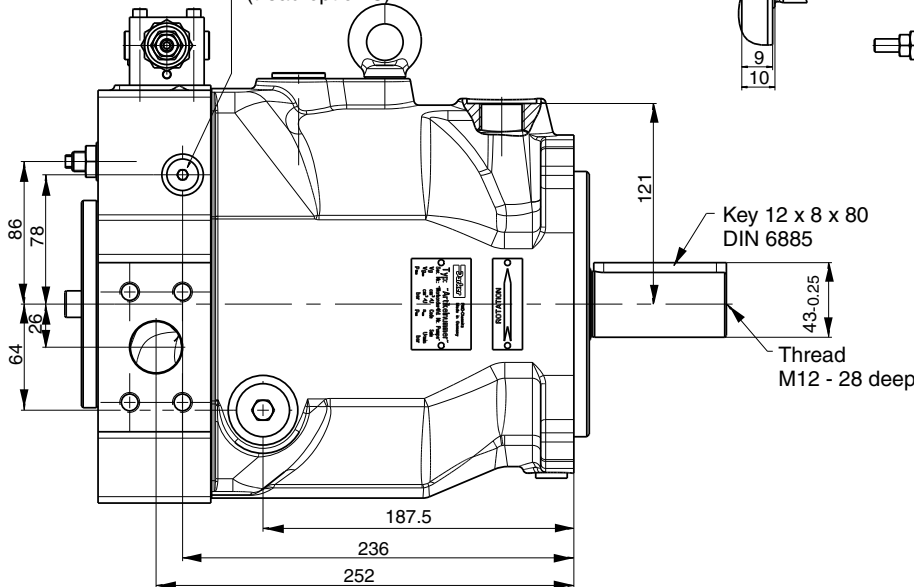
PV 063 - 092 Metric

Mounting interface for horse power pilot or LVDT for displacement feedback

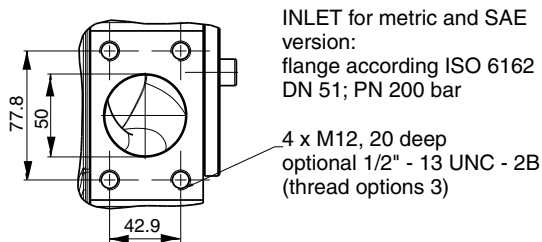
Drain ports L1, L2 and L3; G3/4" optional M27 x 2; ISO 6149-1 (thread option 8) or 1 1/16" - 12 UNF (thread option 3)



Gage port M; G1/4", optional M12 x 1.5; ISO 6149-1 (thread option 8) or 7/16" - 20 UNF (thread option 3)

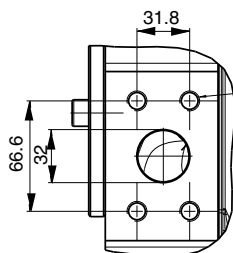


The pump shown above has **Mounting option K** and thru drive variation **T** (prepared for thru drive)



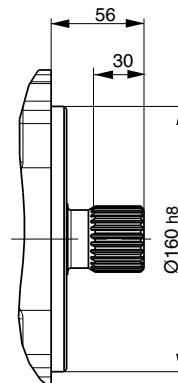
INLET for metric and SAE version: flange according ISO 6162 DN 51; PN 200 bar

4 x M12, 20 deep optional 1/2" - 13 UNC - 2B (thread options 3)



4 x M12, 20 deep optional 1/2" - 13 UNC - 2B (thread options 3) or thread options 4: 4 x M14, 20 deep

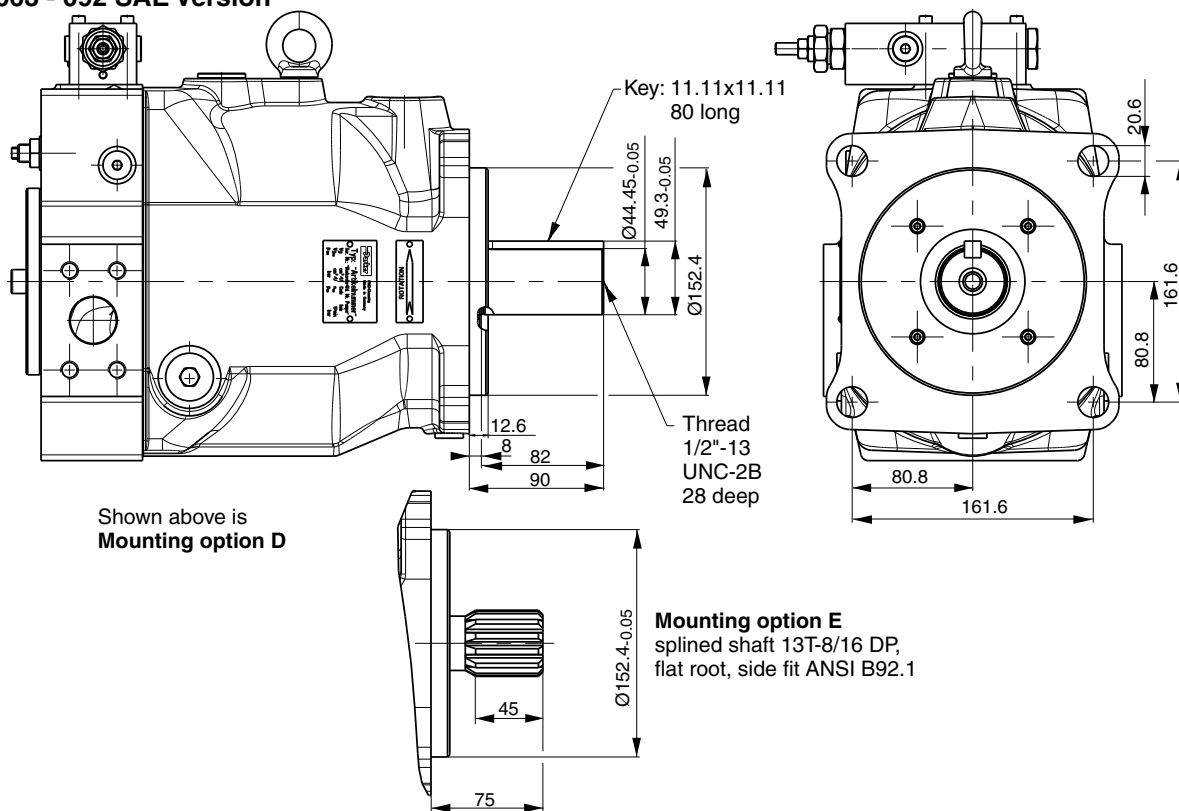
OUTLET for metric and SAE version: flange according ISO 6162 DN 32; PN 400 bar



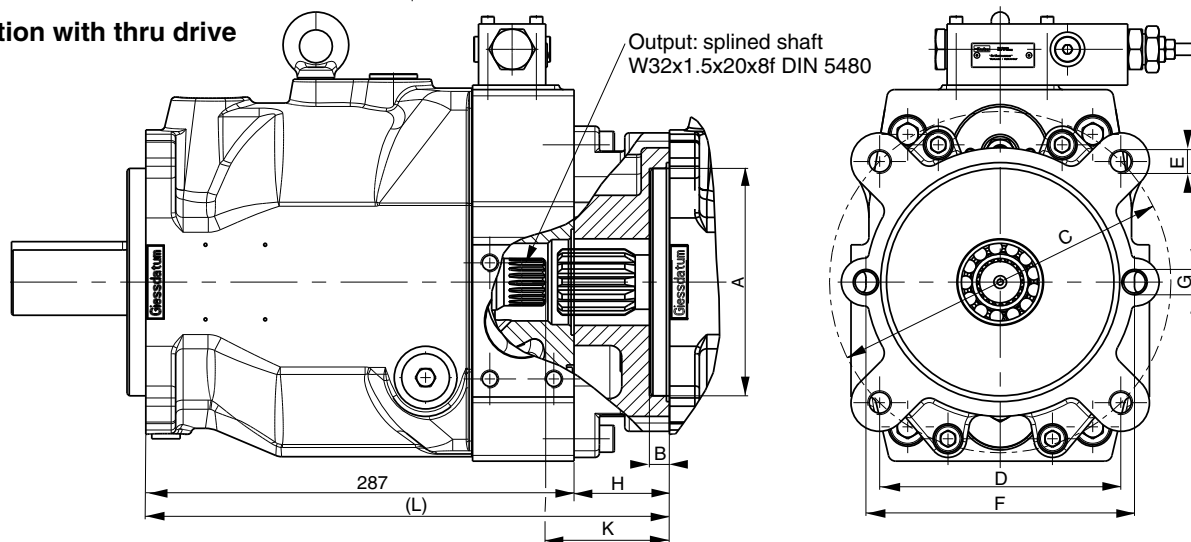
Mounting option L, splined shaft W40 x 1.5 x 25 x 8f DIN 5480

Shown is a clockwise rotating pump with standard pressure compensator. Counter clockwise rotating pumps have inlet, outlet and gage port reversed.

PV 063 - 092 SAE Version

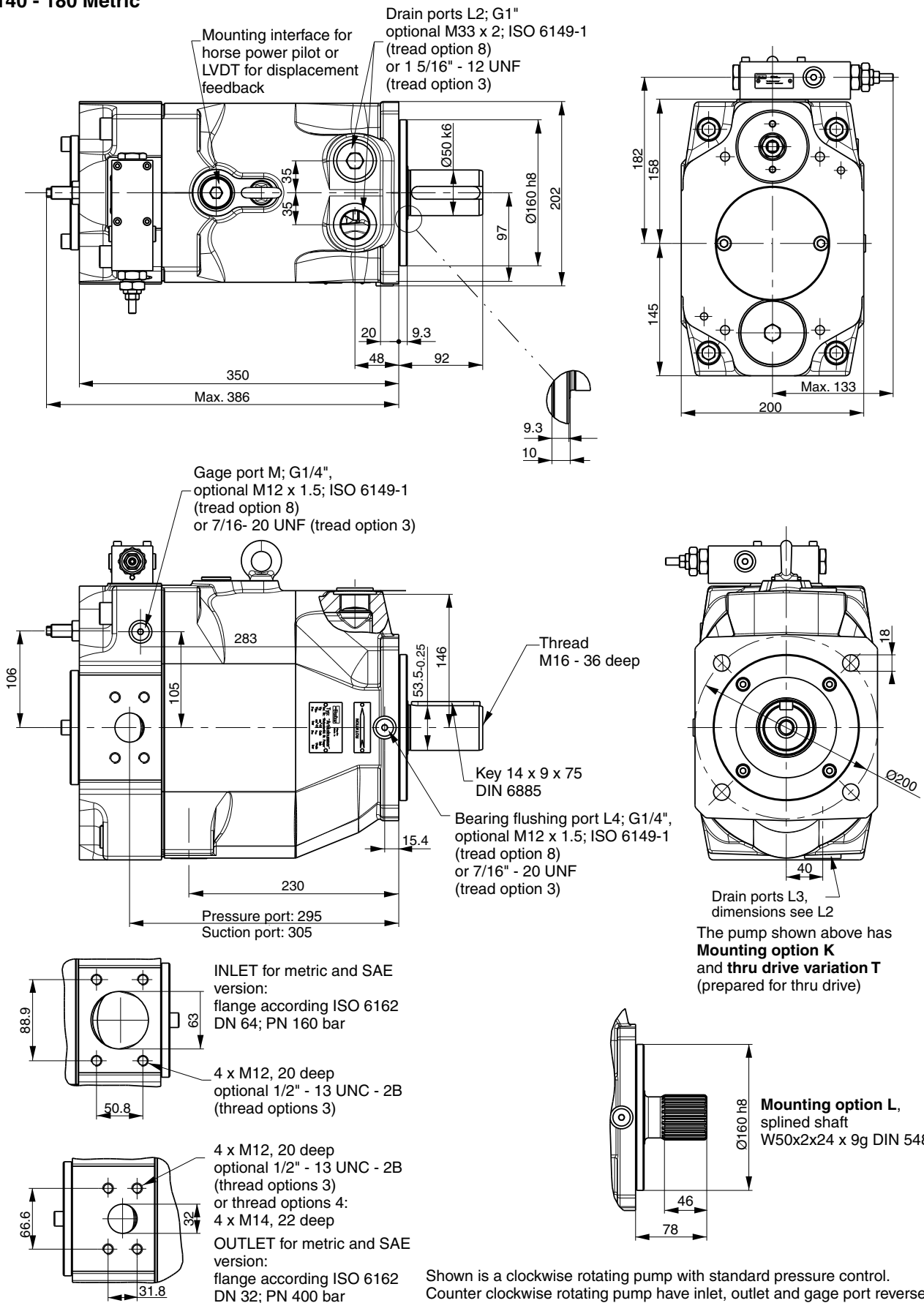


Variation with thru drive

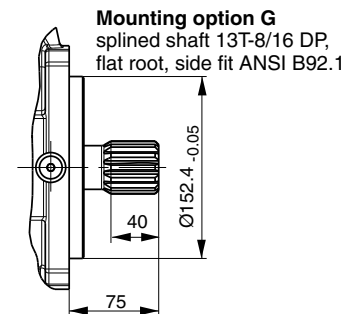
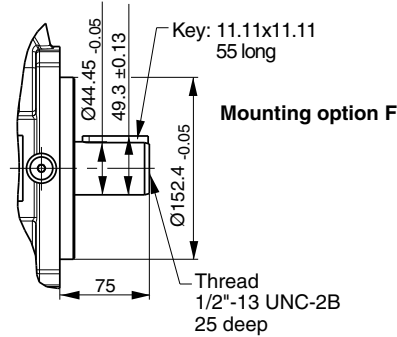
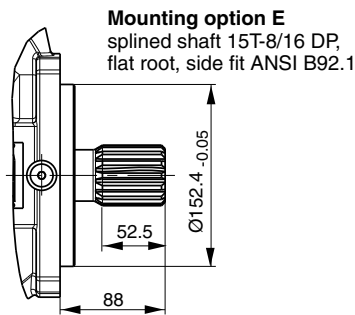
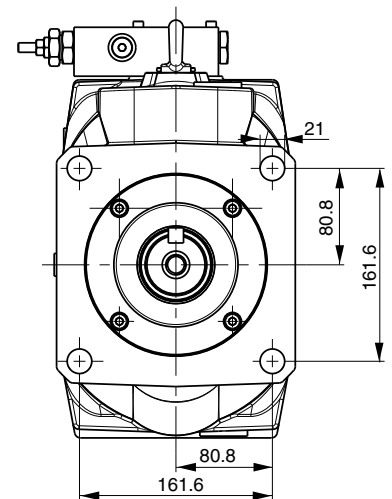
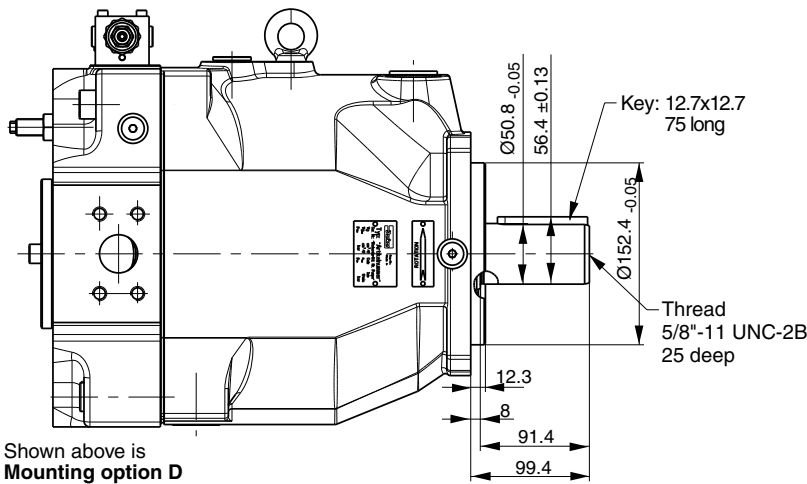


Thru drive adaptors are available with the following dimensions													
Drawing Dimension	A	B	C	D	E		F	G		H	K	L	Remark
					Metr	UNC		Metr	UNC				
Thru drive option													
A	82.55	8	-	-	-	-	106	M10	3/8"-16	39	58	326	SAE A 2-Bolt
B	101.6	11	127	89.8	M12	1/2"-13	146	M12	1/2"-13	39	58	326	SAE B 2/4-Bolt
C	127	13.5	162	114.6	M12	1/2"-13	181	M16	5/8"-11	39	58	326	SAE C 2/4-Bolt
D	152.4	13.5	228.5	161.6	M16	5/8"-11	-	-	-	64	83	351	SAE D 4-Bolt
H	80	8.5	103	72.8	M8	5/16"-18	109	M10	3/8"-16	39	58	326	2/4-Bolt
J	100	10.5	125	88.4	M10	3/8"-16	140	M12	1/2"-13	39	58	326	2/4-Bolt
K	125	10.5	160	113.1	M12	1/2"-13	180	M16	5/8"-11	39	58	326	2/4-Bolt
L	160	13.5	200	141.4	M16	5/8"-11	-	-	-	39	58	326	4-Bolt

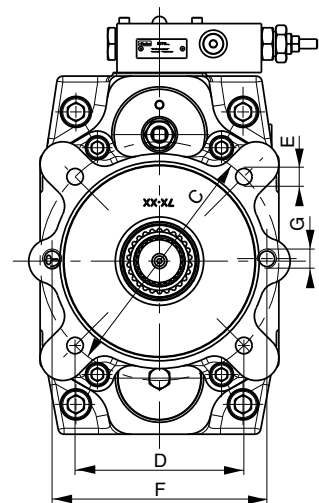
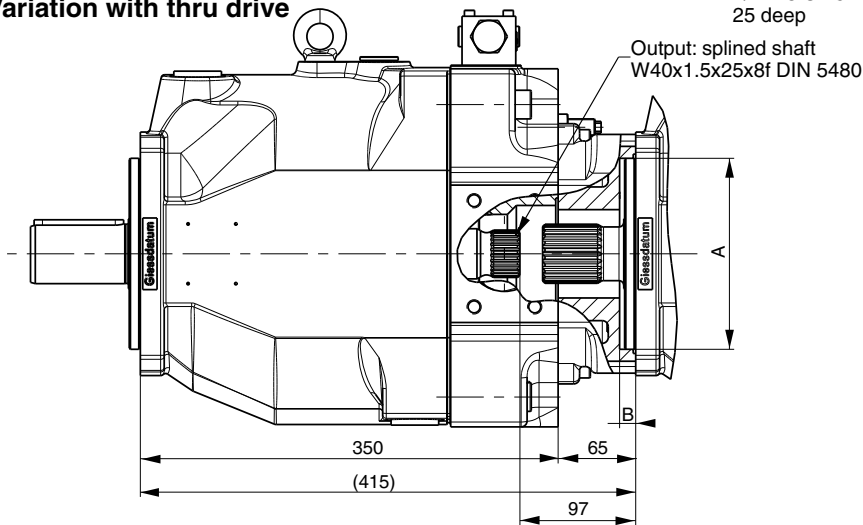
PV 140 - 180 Metric



PV 140 - 180 SAE Version

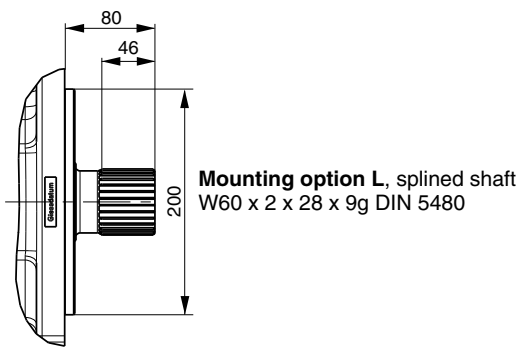
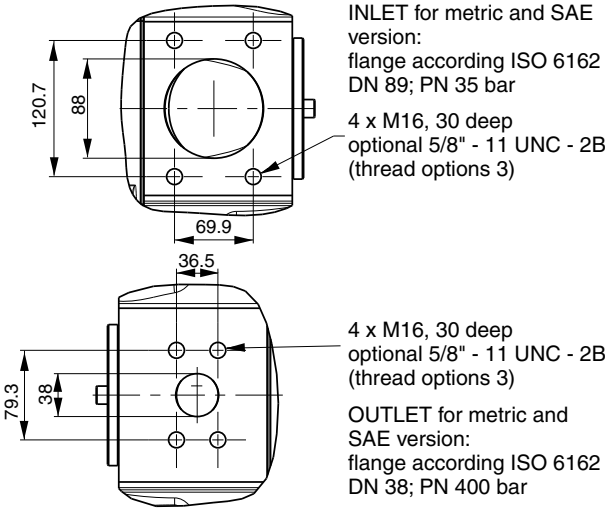
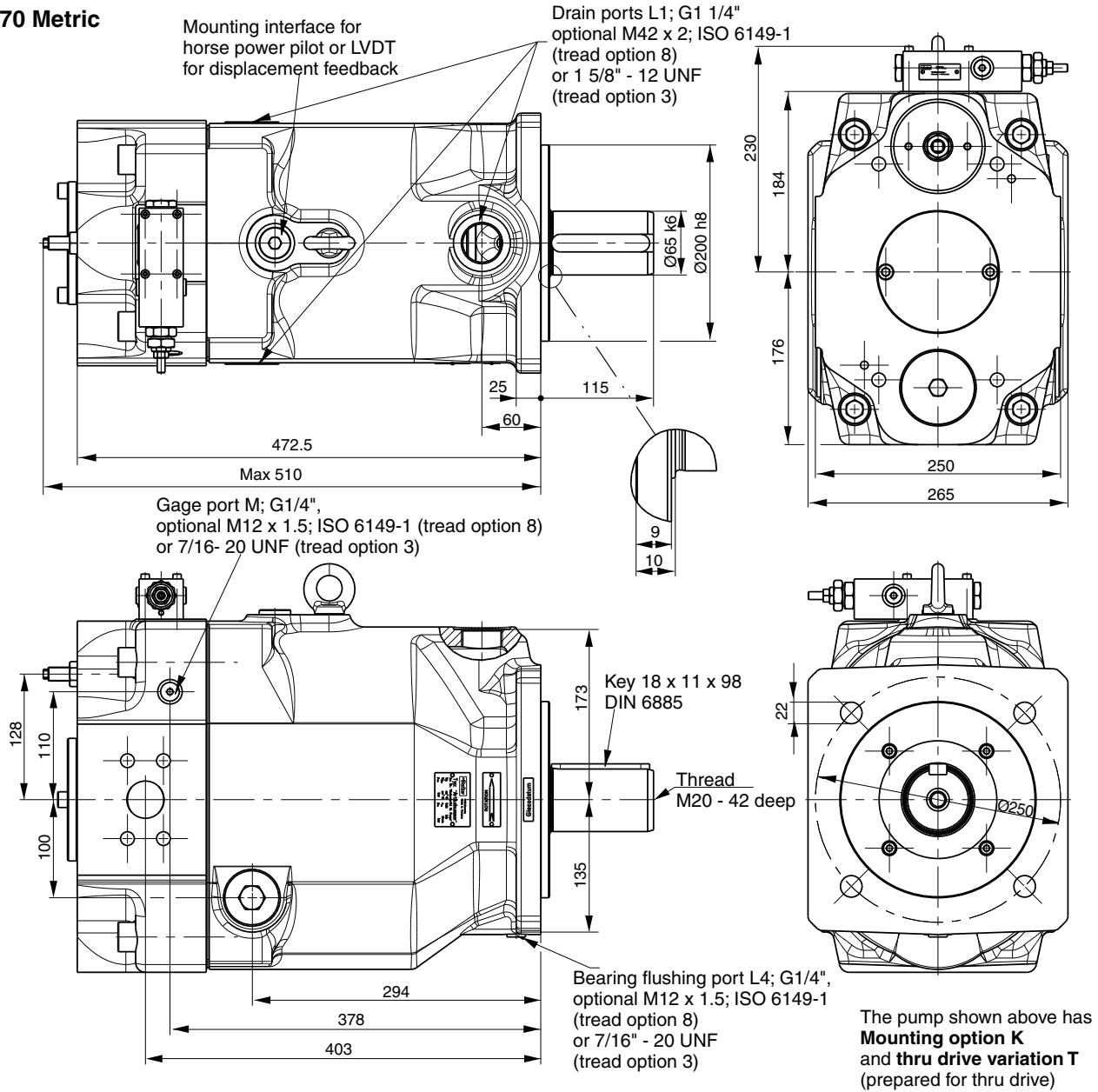


Variation with thru drive



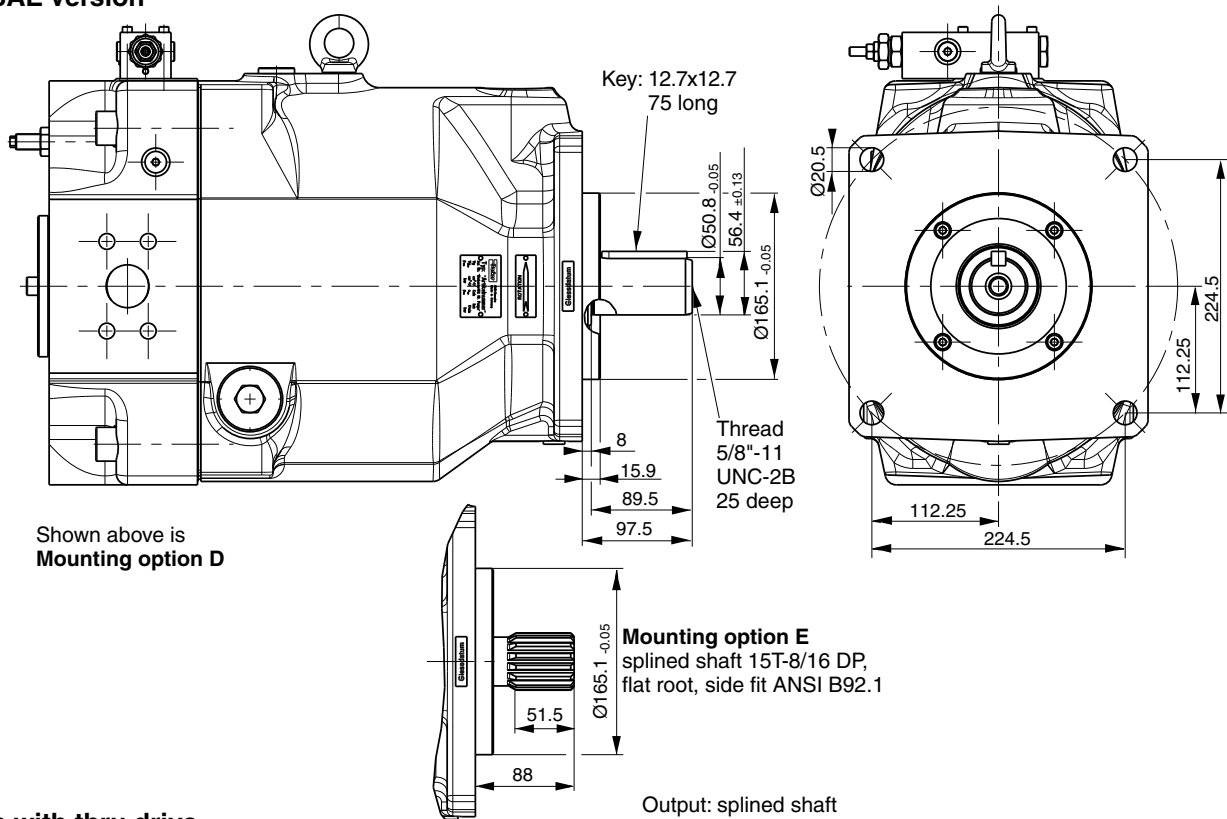
Thru drive adaptors are available with the following dimensions										
Drawing Dimension	A	B	C	D	E		F	G		Remark
					Metr	UNC		Metr	UNC	
Thru drive option										
A	82.55	8	-	-	-	-	106	M10	3/8"-16	SAE A 2-Bolt
B	101.6	11	127	89.8	M12	1/2"-13	146	M12	1/2"-13	SAE B 2/4-Bolt
C	127	13.5	162	114.6	M12	1/2"-13	181	M16	5/8"-11	SAE C 2/4-Bolt
D	152.4	13.5	228.5	161.6	M16	5/8"-11	-	-	-	SAE D 4-Bolt
H	80	8.5	103	72.8	M8	5/16"-18	109	M10	3/8"-16	2/4-Bolt
J	100	10.5	125	88.4	M10	3/8"-16	140	M12	1/2"-13	2/4-Bolt
K	125	10.5	160	113.1	M12	1/2"-13	180	M16	5/8"-11	2/4-Bolt
L	160	13.5	200	141.4	M16	5/8"-11	-	-	-	4-Bolt

PV 270 Metric

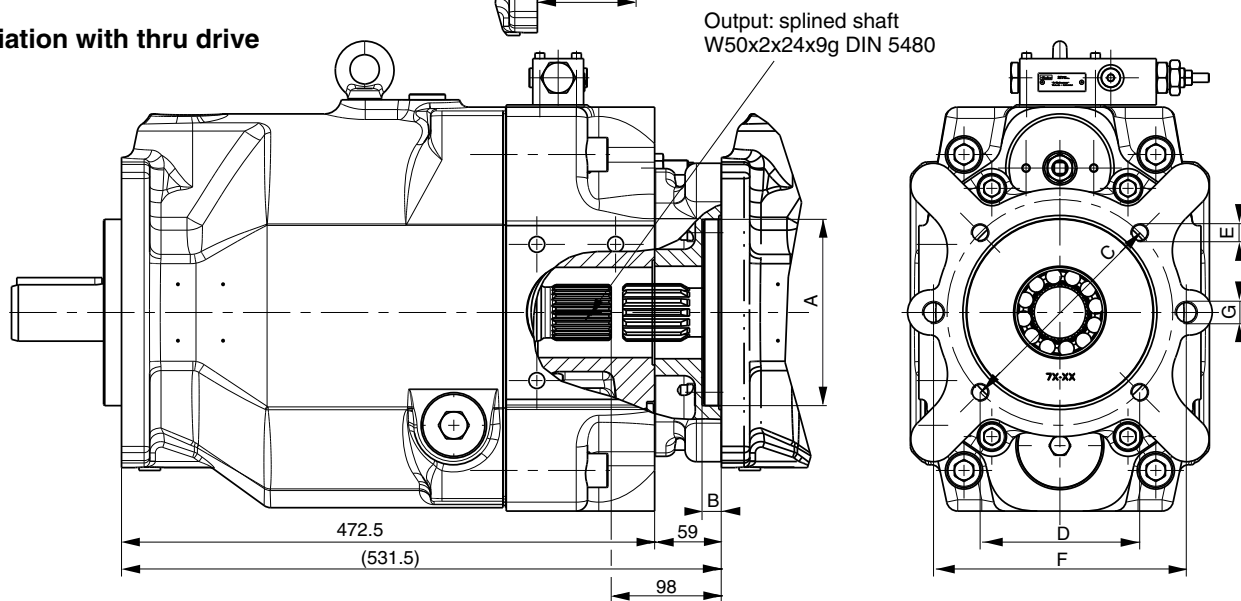


Shown is a clockwise rotating pump with standard pressure control. Counter clockwise rotating pump have inlet, outlet and gage port reversed.

PV 270 SAE Version



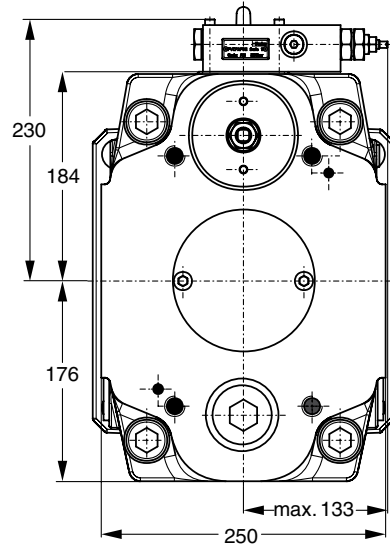
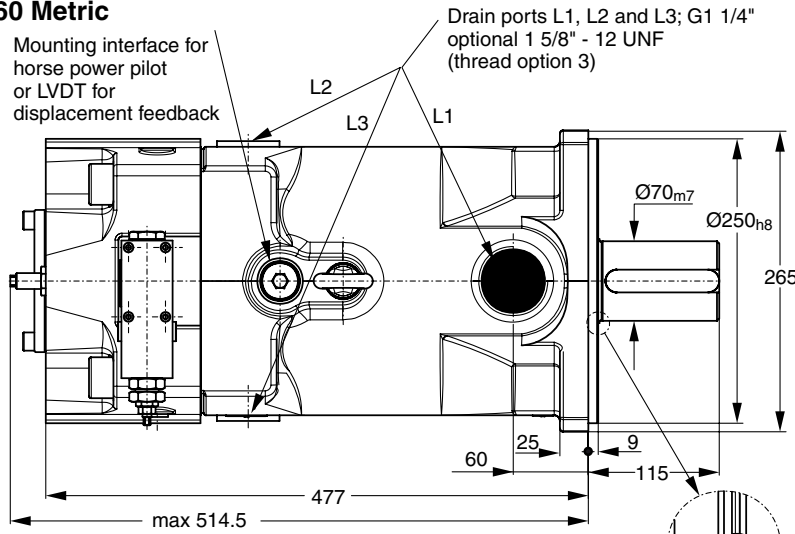
Variation with thru drive



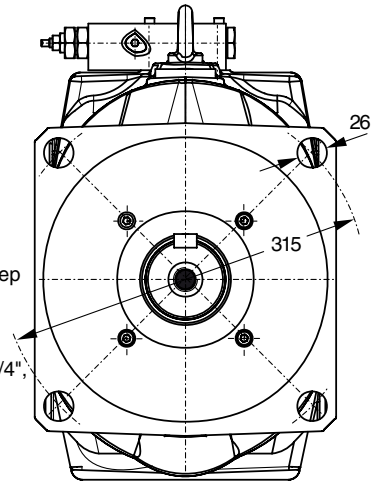
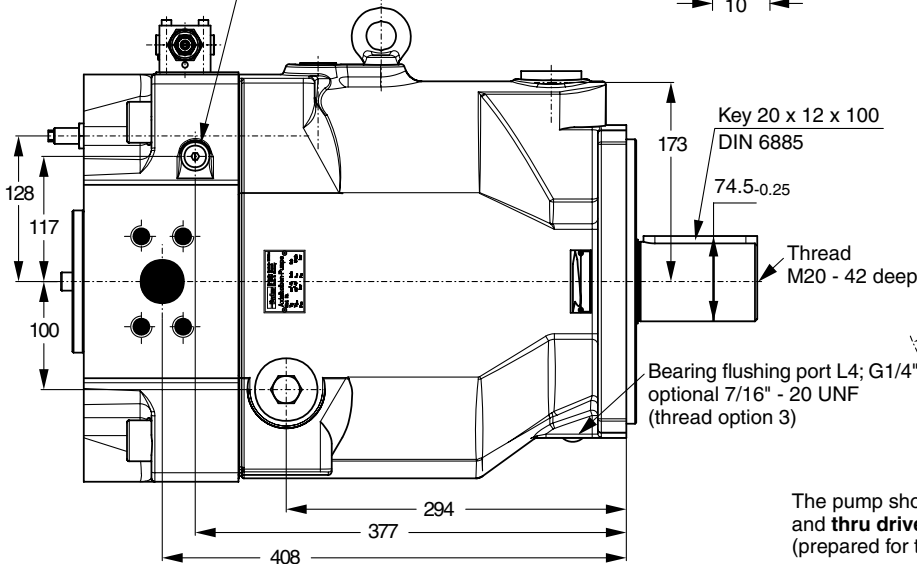
Thru drive adaptors are available with the following dimensions										
Drawing Dimension Thru drive option	A	B	C	D	E		F	G		Remark
					Metr	UNC		Metr	UNC	
A	82.55	8	-	-	-	-	106	M10	3/8"-16	SAE A 2-Bolt
B	101.6	11	127	89.8	M12	1/2"-13	146	M12	1/2"-13	SAE B 2/4-Bolt
C	127	13.5	162	114.6	M12	1/2"-13	181	M16	5/8"-11	SAE C 2/4-Bolt
D	152.4	13.5	228.5	161.6	M16	5/8"-11	229	M16	5/8"-11	SAE D 2/4-Bolt
E	165.1	17	317.5	224.5	M20	3/4"-10	-	-	-	SAE E 4-Bolt
H	80	8.5	103	72.8	M8	5/16"-18	109	M10	3/8"-16	2/4-Bolt
J	100	10.5	125	88.4	M10	3/8"-16	140	M12	1/2"-13	2/4-Bolt
K	125	10.5	160	113.1	M12	1/2"-13	180	M16	5/8"-11	2/4-Bolt
L	160	13.5	200	141.4	M16	5/8"-11	224	M20	3/4"-10	2/4-Bolt
M	200	13.5	250	176.8	M20	3/4"-10	-	-	-	4-Bolt

PV 360 Metric

Mounting interface for horse power pilot or LVDT for displacement feedback

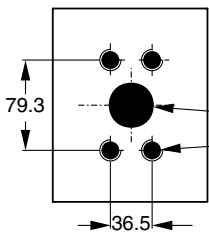


Gage port M; G1/4", optional 7/16" - 20 UNF (thread option 3)

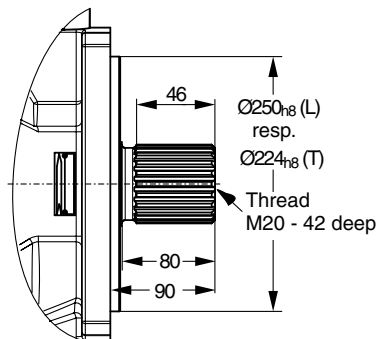
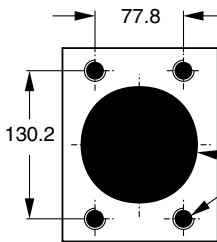


The pump shown above has **Mounting option K** and **thru drive variation T** (prepared for thru drive)

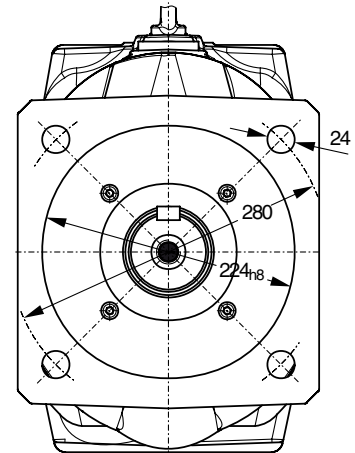
OUTLET for metric and SAE version:
 flange according ISO 6162
 DN 38; PN 400 bar
 1 1/2"
 38
 4 x M16, 30 deep
 optional 5/8" - 11 UNC - 2B
 (thread option 3)



INLET for metric and SAE version:
 flange according ISO 6162
 DN 102; PN 35 bar
 4"
 102
 4 x M16, 30 deep
 optional 5/8" - 11 UNC - 2B
 (thread option 3)



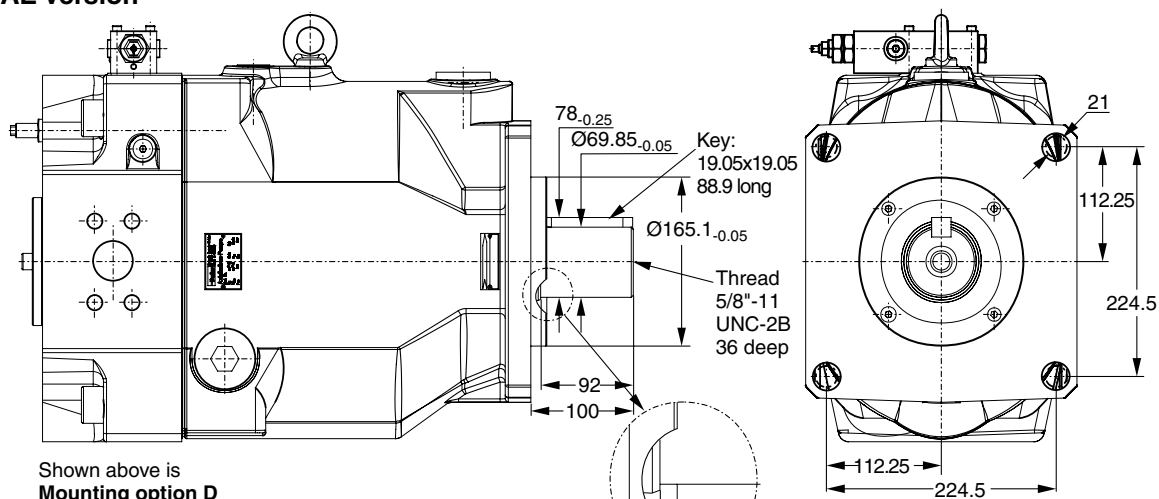
Mounting option L, T, splined shaft
 W 70 x 3 x 22 x 8f DIN 5480



mounting option R
 pilot diameter Ø224 mm

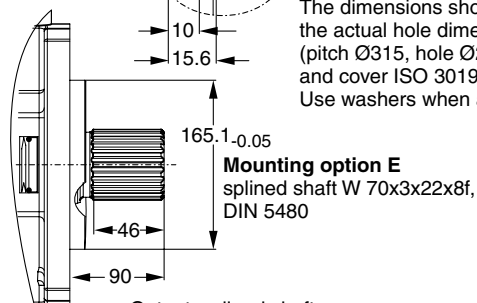
Shown is a clockwise rotating pump with standard pressure control.
 Counter clockwise rotating pump have inlet, outlet and gage port reversed.

PV 360 SAE Version

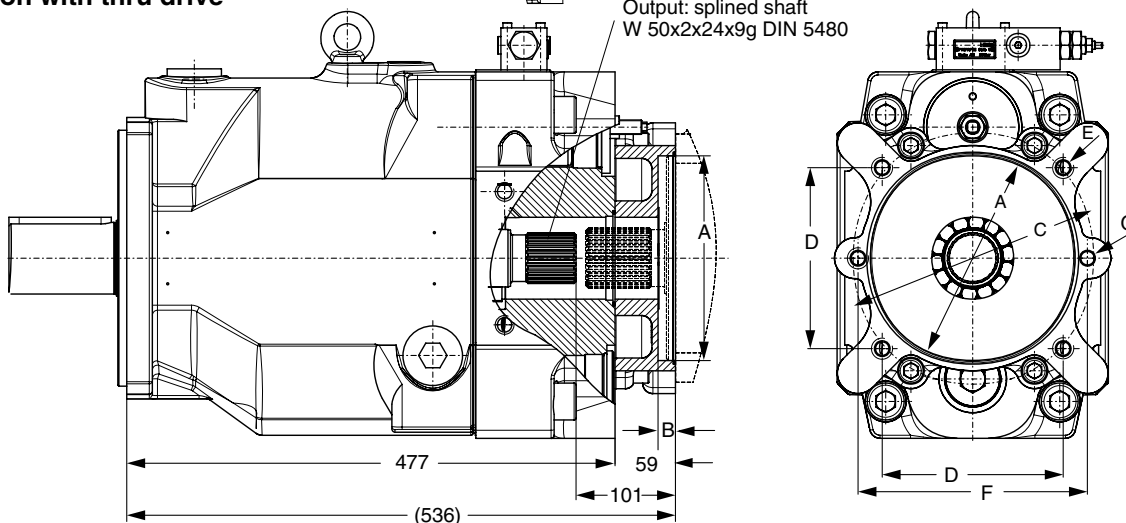


Shown above is
Mounting option D

Note:
 The dimensions shown conform to ISO 3019/1
 the actual hole dimensions conform to ISO 3019/2
 (pitch Ø315, hole Ø26, see previous page)
 and cover ISO 3019/1 dimensions as well.
 Use washers when assembling pump.

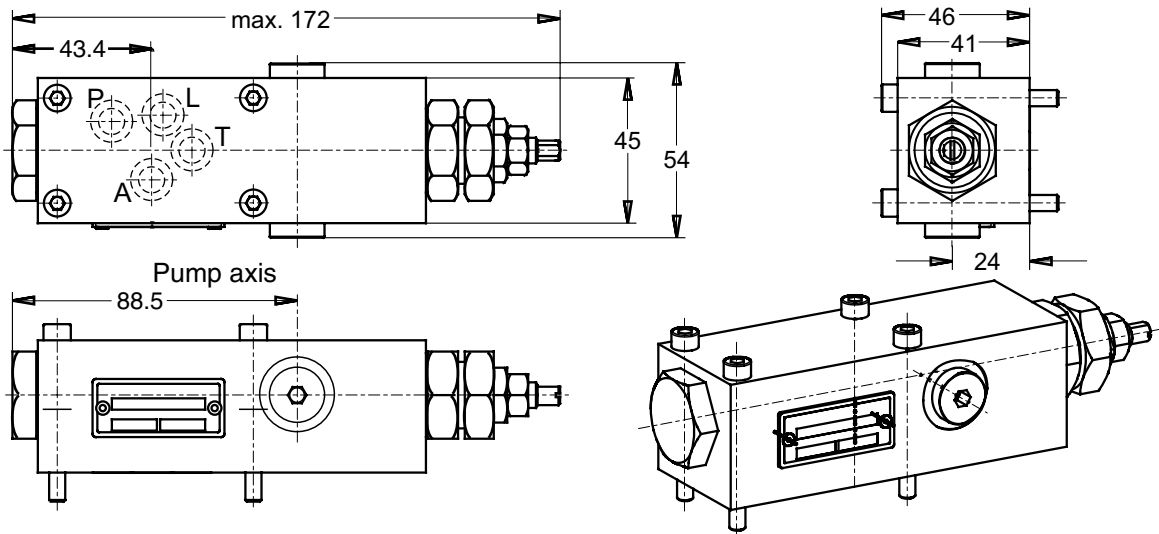


Variation with thru drive



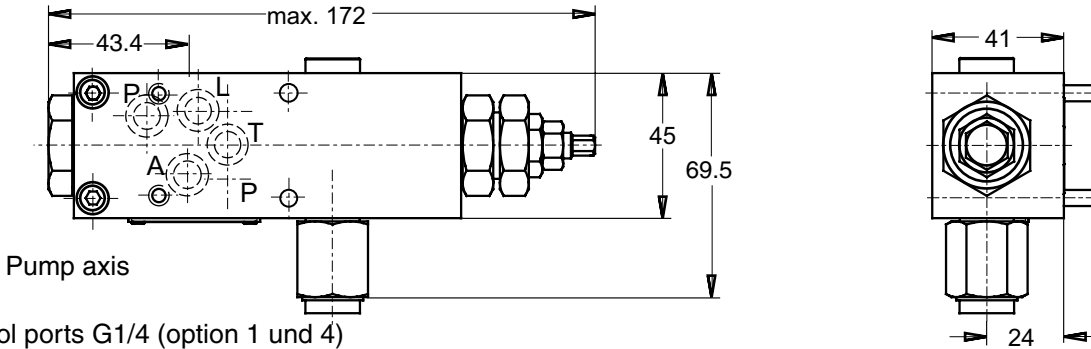
Thru drive adaptors are available with the following dimensions										
Drawing Dimension	A	B	C	D	E		F	G		Remark
					Metr	UNC		Metr	UNC	
Thru drive option										
A	82.55	8	-	-	-	-	106	M10	3/8"-16	SAE A 2-Bolt
B	101.6	11	127	89.8	M12	1/2"-13	146	M12	1/2"-13	SAE B 2/4-Bolt
C	127	13.5	162	114.6	M12	1/2"-13	181	M16	5/8"-11	SAE C 2/4-Bolt
D	152.4	13.5	228.5	161.6	M16	5/8"-11	229	M16	5/8"-11	SAE D 2/4-Bolt
E	165.1	17	317.5	224.5	M20	3/4"-10	-	-	-	SAE E 4-Bolt
H	80	8.5	103	72.8	M8	5/16"-18	109	M10	3/8"-16	2/4-Bolt
J	100	10.5	125	88.4	M10	3/8"-16	140	M12	1/2"-13	2/4-Bolt
K	125	10.5	160	113.1	M12	1/2"-13	180	M16	5/8"-11	2/4-Bolt
L	160	13.5	200	141.4	M16	5/8"-11	224	M20	3/4"-10	2/4-Bolt
M	200	13.5	250	176.8	M20	3/4"-10	-	-	-	4-Bolt

Dimensions standard pressure control, code ...MMC

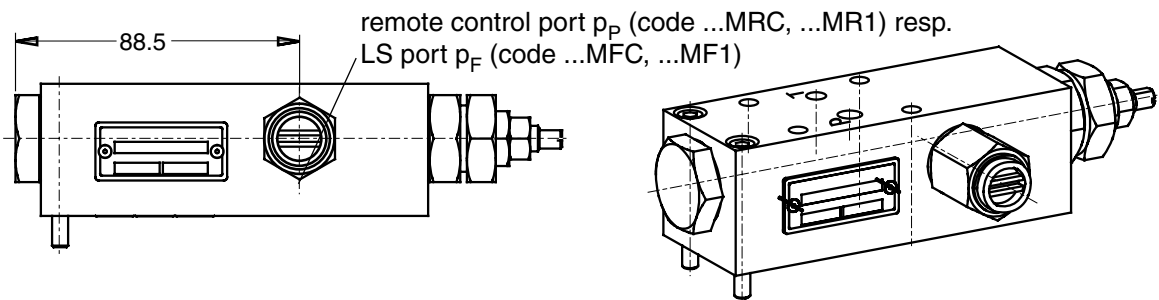


Controls with code ...MM1 have a NG6 / Cetop 3 interface topside (as shown below)

Dimensions remote pressure and load sensing control, codes ...MR1, ...MF1

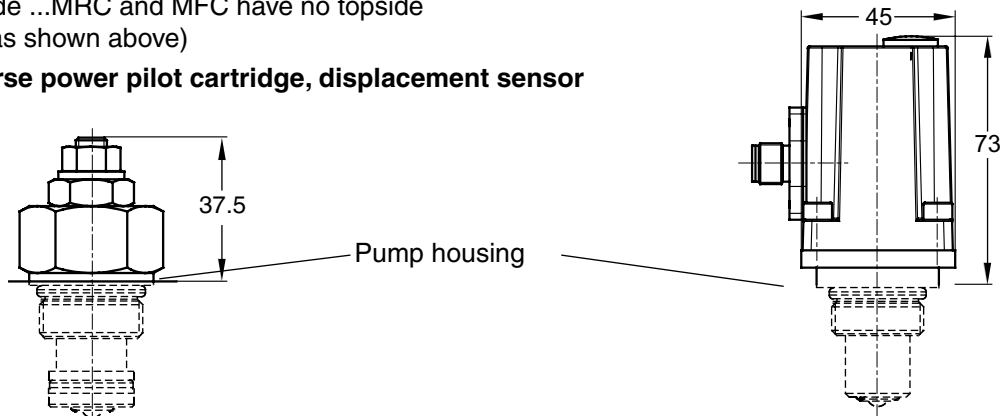


control ports G1/4 (option 1 und 4)
 optional 7/16-20 UNF (option 3)
 optional M12x1,5 (option 8)

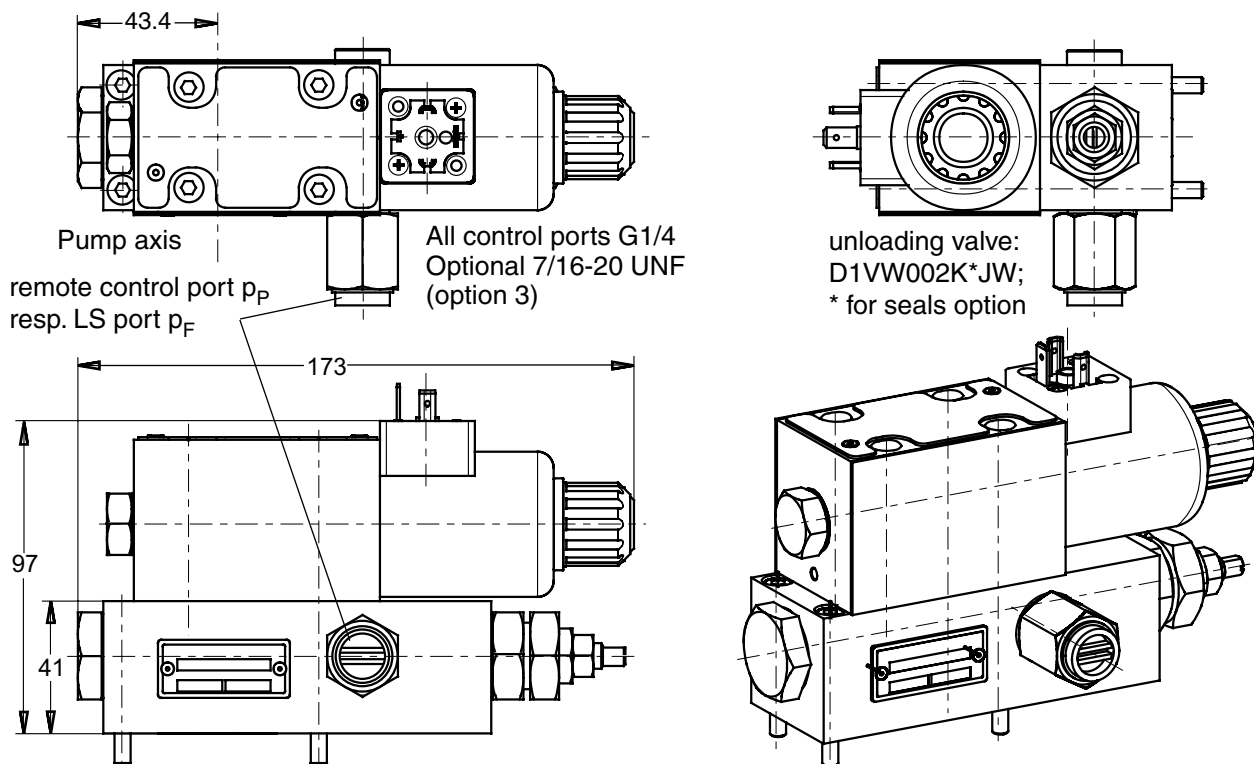


Controls with code ...MRC and MFC have no topside valve interface (as shown above)

Dimensions horse power pilot cartridge, displacement sensor

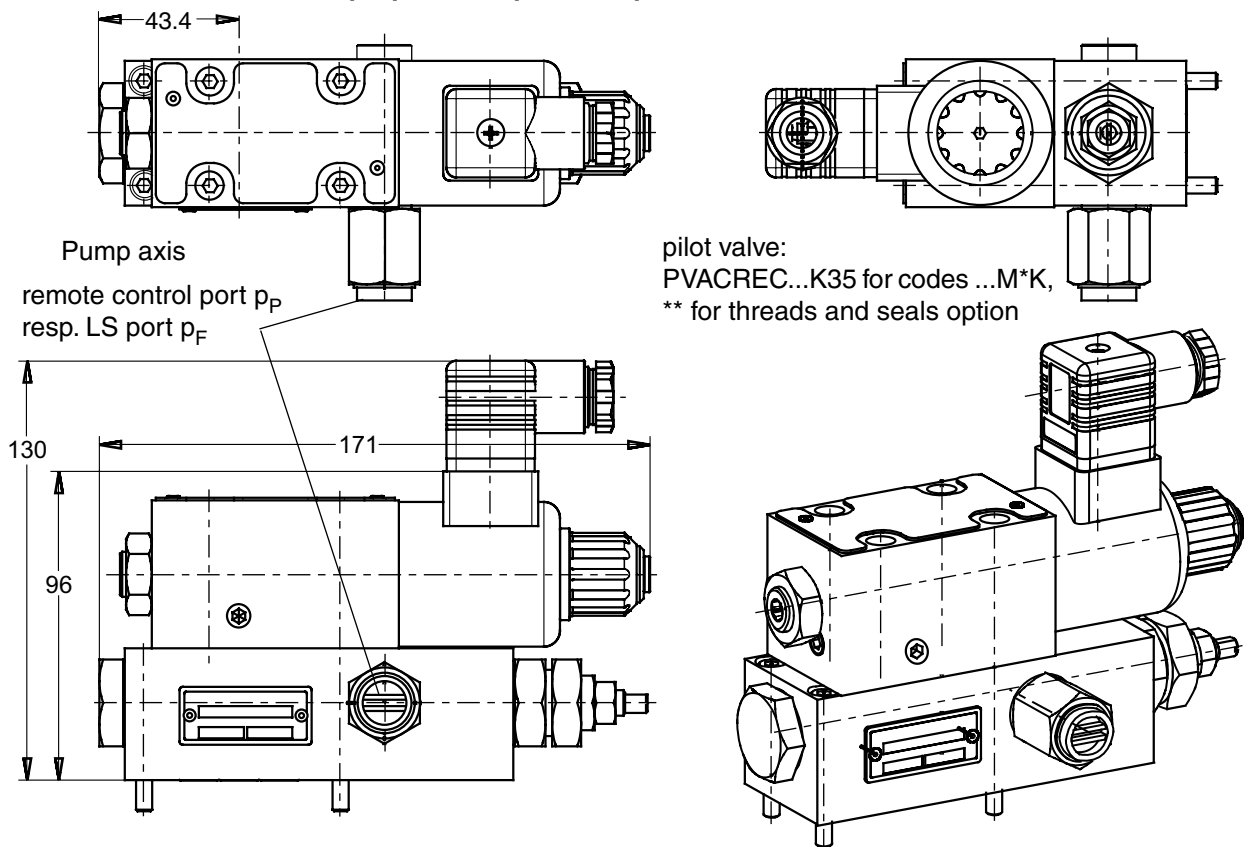


Dimensions for controls with unloading valve, codes ...M*W



Shown in version MRW/MFW, version MMW has no remote control port.

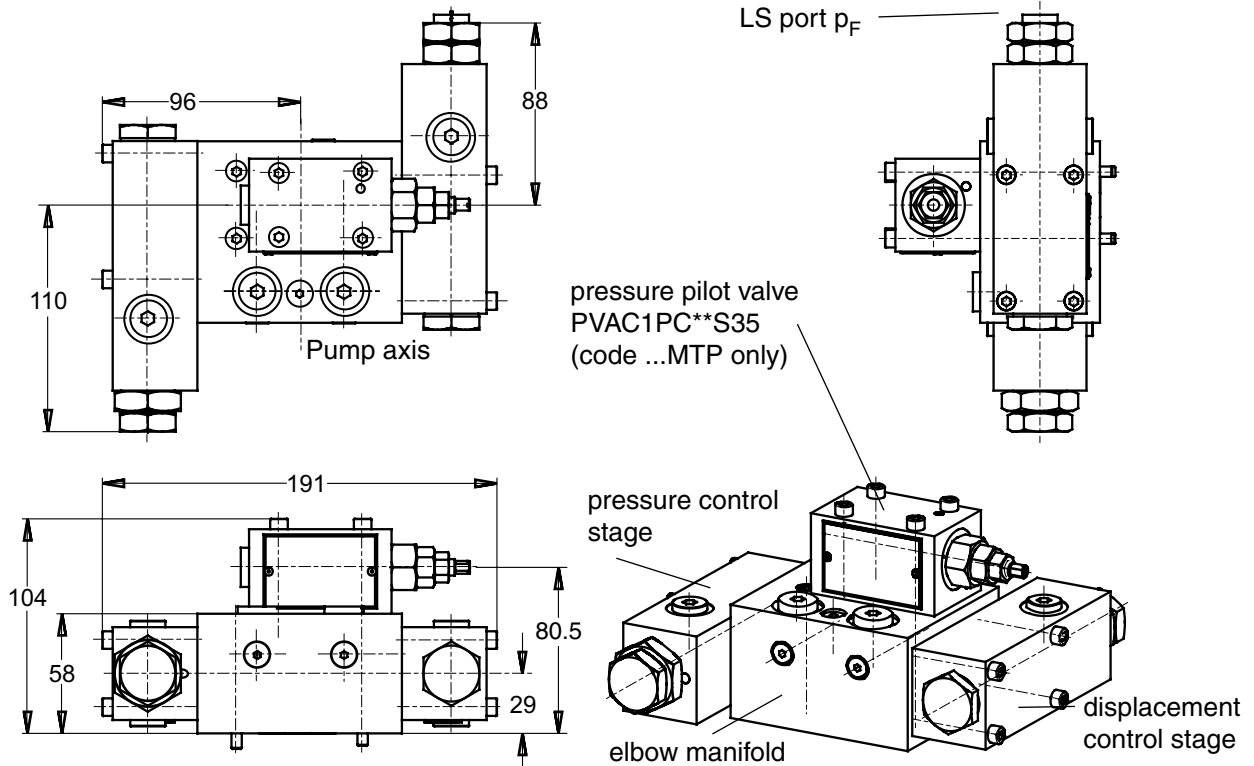
Dimensions for controls with proportional pressure pilot valve, codes ...M*K



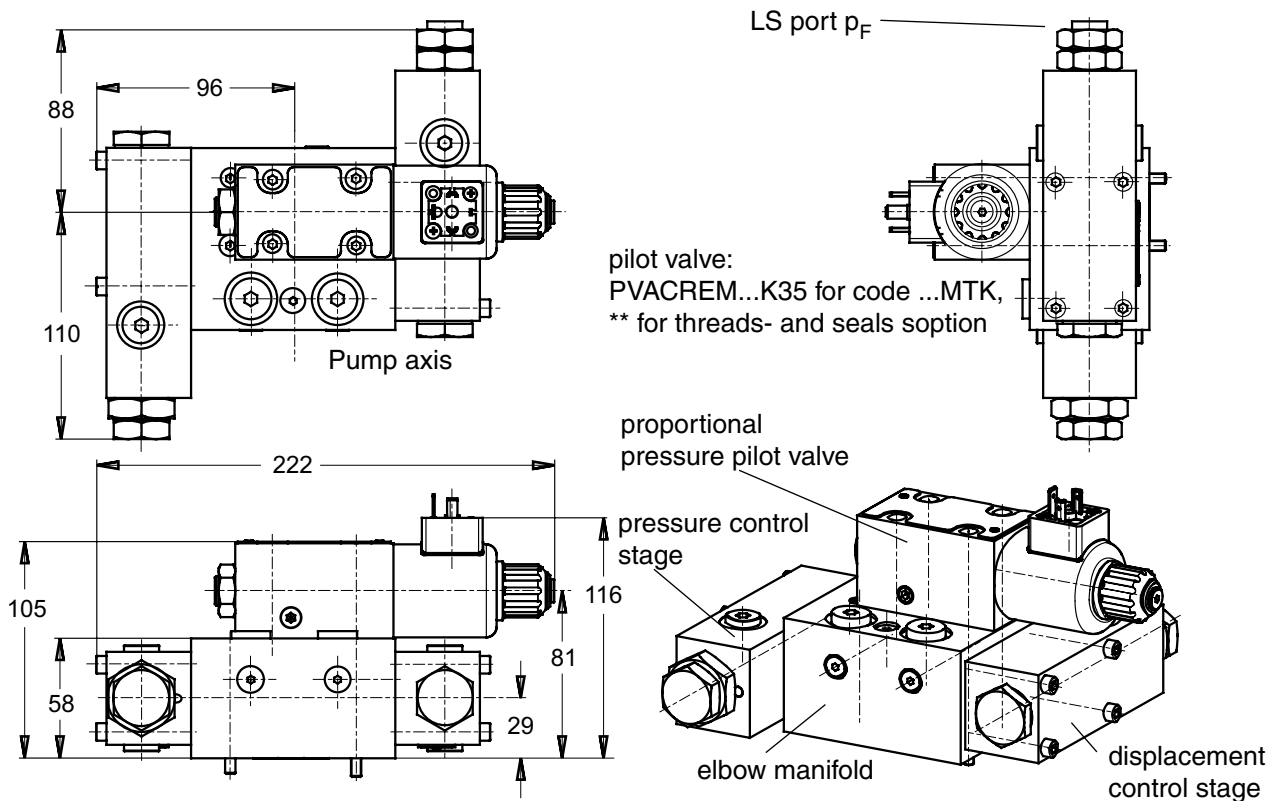
Shown in version MRK/MFK, version MMK has no remote control port.

Dimensions for horse power compensator *L* and *C* are identical to MM* respectively MF*.

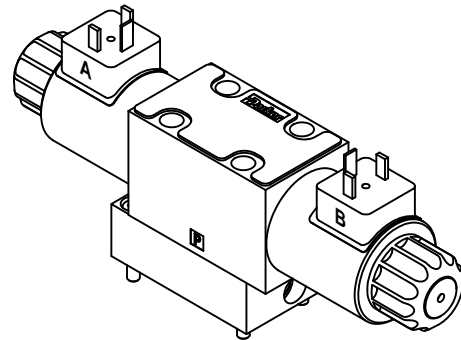
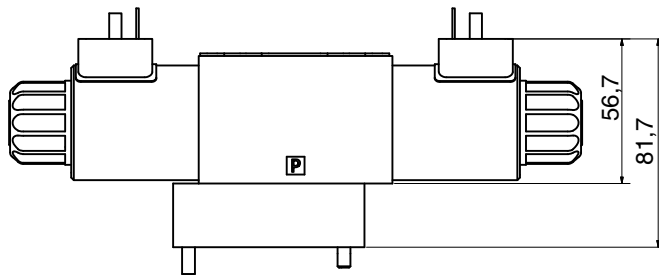
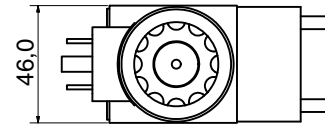
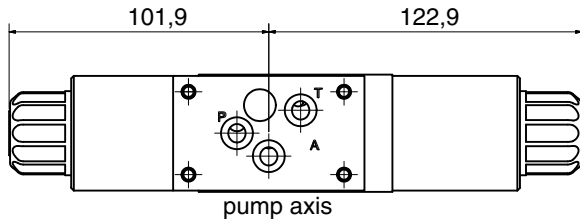
Dimensions two spool load sensing control, code ...MT1, ...MTP



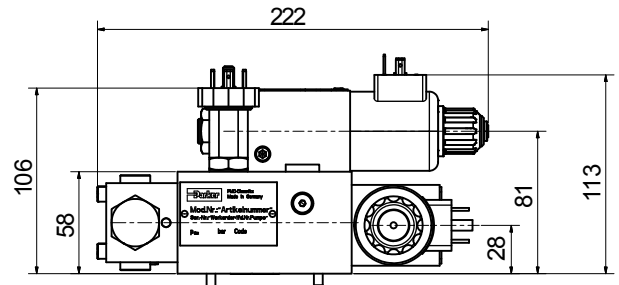
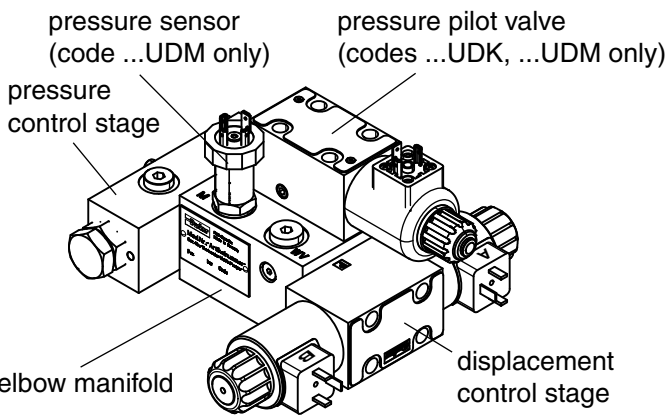
Dimensions two spool load sensing control with proportional pressure pilot valve, code ...MTK



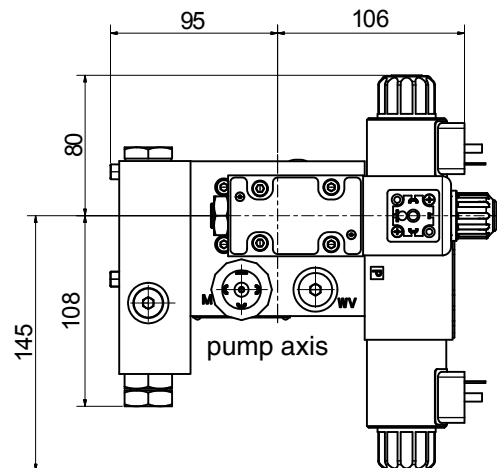
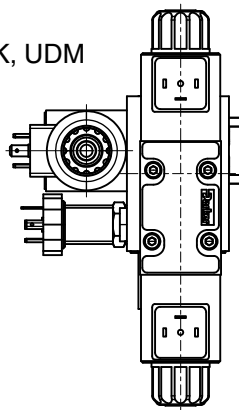
Dimensions proportional displacement control, code ...FDV



Dimensions proportional p/Q-control, codes ...UDR, ...UDK, ...UDM



pilot valve:
 PVACREM...K35 for code ...UDK, UDM
 ** for threads- and seals option



Features

- Digital control circuit
- Covers all displacements
- Covers all available functions (pressure, displacement, power)
- Predefined parameter sets (Plug & Play)
- Connection via USB cable (USB-A/USB-B)
- Ramp time up to 60 seconds
- Compatible to the relevant european EMC specifications
- Offline edition of parameter sets
- Easy error diagnosis
- Hands-on control tuning due to online monitoring of PID gains
- All settings (ramps, MIN/MAX, control parameters) can be stored digitally and recalled from a PC to duplicate settings to other modules

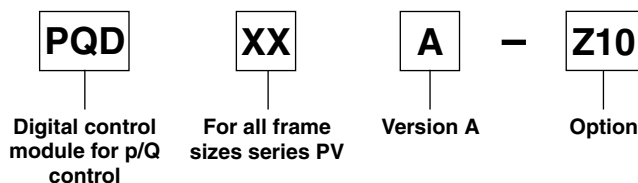


Technical data

Mounting style		Snap-on mounting for EN50022 rail
Body material		Polycarbonate
Inflammation class		V2...V0 acc. UL 94
Mounting position		any
Env. temperature range	[°C]	-20...+55
Protection class		IP 20 acc. DIN 40 050
Weight	[g]	260
Duty ratio	[%]	100
Supply voltage	[V]	18...30VDC, ripple <5% eff.
Rush in current	[A]	22 for 0.2 ms
Current consumption	[A]	< 4 for p/Q control ; < 2 for Q-control
Resolution Input Command	[%]	0.025 (power 0.1)
Interface		USB - Typ B
EMC		EN 50 081-2, EN 50 082-2
Connectors		Screw terminals 0.2...2.5 mm ² , plug in style
Cables	[mm ²]	Supply and solenoid cables; 1,5 mm ² (AWG16) overall braid shield. Sensor and command signals; 0,5 mm ² (AWG20) overall braid shield
Max. cable length	[m]	50

For programming the module via PC an interface cable is needed, please order part number PQDXXA-ZXX-KABEL separately.

Ordering code



Programming software

The programming of the p/Q control module is done in an easy to learn mode. To select the pump model and size and to set the control parameters the program ProPVplus must be started. This program runs under WINDOWS® 95 and higher.

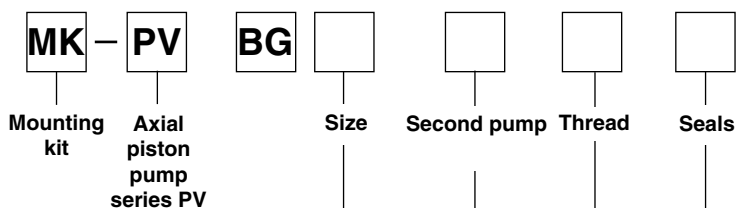
The latest version of this software can be downloaded at the following internet address:

www.parker.com/pmde

Features

- Display and documentation of parameter sets
- Save and reload of optimized parameter sets
- Offers oscilloscope function for easy performance evaluation and optimization
- Parameter sets for all PVplus pumps are pre-installed in the modules

Mounting kits for multiple pumps, for second pump option



Code	Pump size
1	Pump size 1: PV016 - PV028
2	Pump size 2: PV032 - PV046
3	Pump size 3: PV063 - PV092
4	Pump size 4: PV140 - PV180
5	Pump size 5: PV270 - PV360

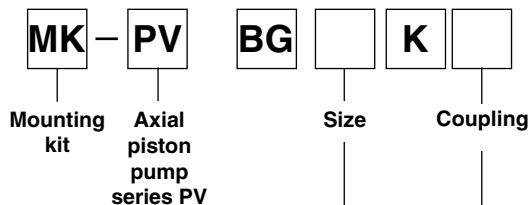
Code	Second pump, SAE
T	Prepared for thru drive option (plugged)
Y	SAE AA, diameter 50.8 mm
A	SAE A, diameter 82.55 mm
B	SAE B, diameter 101.6 mm
C	SAE C, diameter 127 mm
D	SAE D, diameter 152.4 mm
E	SAE E, diameter 165.1 mm
Second pump, metric	
G	Diameter 63 mm
H	Diameter 80 mm
J	Diameter 100 mm
K	Diameter 125 mm
L	Diameter 160 mm
M	Diameter 200 mm

Code	Seals
N	NBR
V	FPM

Code	Thread
M	Metric
S	SAE

Kit contains positions 30, 69, 84, 85 and 87, see spare part list

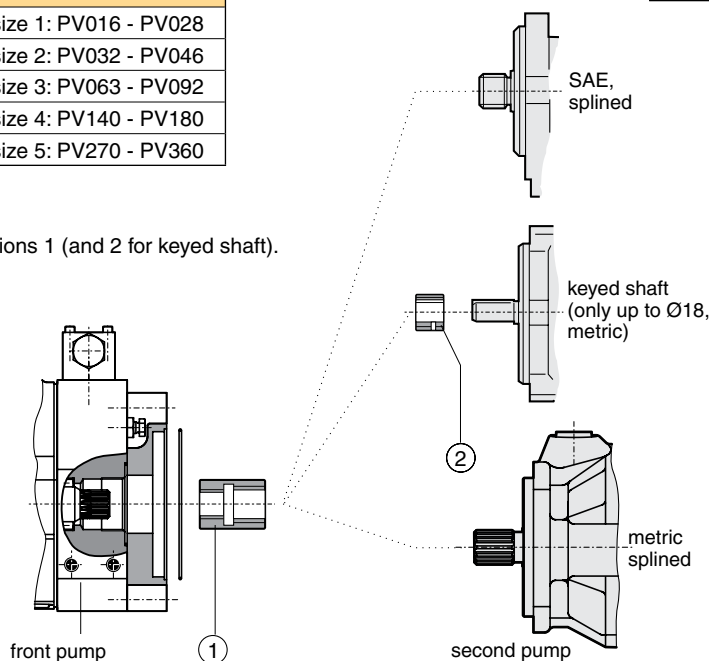
Mounting kits for multiple pumps, couplings



Code	Pump size
1	Pump size 1: PV016 - PV028
2	Pump size 2: PV032 - PV046
3	Pump size 3: PV063 - PV092
4	Pump size 4: PV140 - PV180
5	Pump size 5: PV270 - PV360

Code	Coupling for metric, splined shaft DIN 5480
01	N25 x 1.5 x 15
02	N32 x 1.5 x 20
03	N40 x 1.5 x 25
04	N50 x 2 x 24
05	N60 x 2 x 28
06	N70 x 3 x 22*
Coupling for SAE splined shaft flat root, side fit	
11	SAE A, 9T 16/32
12	SAE-, 11T 16/32
13	SAE B, 13T 16/32
14	SAE B-B, 15T 16/32
15	SAE C, 14T 12/24
16	SAE C-C, 17T 12/24
17	SAE D+E, 13T 8/16
18	SAE F, 15T 8/16
Coupling + adaptor for keyed shaft	
20	Diameter 12 mm
21	Diameter 16 mm
22	Diameter 18 mm

Kit contains positions 1 (and 2 for keyed shaft).



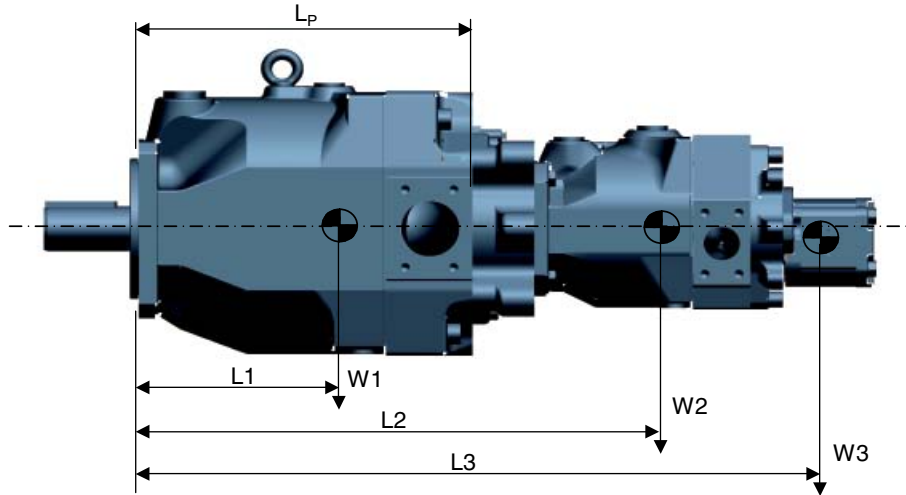
* For PV360 only

Availability of thru drive flange and coupling please check with ordering code options per each pump size, starting at page 6

Multiple Pump Combinations - Maximum Moment

Combinations of multiple pumps might require additional pump support to avoid a too high stress on the front mounting flange. Combinations of two PVplus pumps in the same frame size generally do not need additional support in an industrial application. For combinations of more pumps support is required.

In case of combinations of a PVplus pump with another type of pump it is recommended to calculate the moment for the combination and compare with the maximum moment in table 1 below.



Moment $M = (L1*W1 + L2*W2 + L3*W3 + \dots)$

Note:

If the calculated moment M exceed the maximum moment in table 1 below, additional pump support is needed

Table 1: Maximum Moment and Pump Dimensions

		PV016-PV028	PV032-PV046	PV063-PV092	PV140-PV180	PV270	PV360
Maximum moment ¹⁾	[Nm]	81	151	401	591	1686	1686
Weight W	[N]	186	294	589	883	1687	1766
Distance L1	[mm to C/G]	106	119	178	184	234	238
Distance Lp	[mm]	197.5	227	287	350	472.5	477

1) at dynamic weight acceleration 10g = 98.1 m/sec²

Table 2 Through Drive Adapter Plate Thickness [mm]

Adapter option ²⁾	PV016-PV028	PV032-PV046	PV063-PV092	PV140-PV180	PV270	PV360
Y	27	-	-	-	-	-
A	27	34	39	65	59	59
B	27	34	39	65	59	59
C	-	49	39	65	59	59
D	-	-	64	65	59	59
E	-	-	-	-	59	59
G	27	34	39	-	-	-
H	27	34	39	65	59	59
J	27	34	39	65	59	59
K	-	34	39	65	59	59
L	-	-	39	65	59	59
M	-	-	-	-	59	59

2) See page 6 to 17 for reference per each frame size.

Maximum allowed transferable torque FRONT							
Shaft code	Shaft type	Transferable torque at FRONT shaft end. [Nm]					
		PV016-028	PV032-046	PV063-092	PV140-180	PV270	PV360
D	SAE - Key	300	650	1850	2150	2150	4750
E	SAE - Spline	320	630	1700	2750	2800	8100*
F	SAE - Key				1200		
G	SAE - Spline				1700		
R	Metric - Key						3750
T	Metric - Spline						8100
K	Metric - Key	280	640	1200	1550	3300	3750
L	Metric - Spline	320	720	1500	3050	5750	8100
Maximum allowed transferable torque REAR							
Max. torque transmission cap. for rear mounted pump		350	520	1100	1550	3150	3250

* DIN5480 splined

Important notice

The max. allowable torque of the individual shaft must not be exceeded. For 2-pump combinations there is no problem because PV series offers 100% thru torque. For 3-pump combinations (and more) the limit torque could be reached or exceeded.

Therefore it is necessary to calculate the resulting input as well as thru drive torque.



WARNING – USER RESPONSIBILITY

FAILURE OR IMPROPER SELECTION OR IMPROPER USE OF THE PRODUCTS DESCRIBED HEREIN OR RELATED ITEMS CAN CAUSE DEATH, PERSONAL INJURY AND PROPERTY DAMAGE.

This document and other information from Parker-Hannifin Corporation, its subsidiaries and authorized distributors provide product or system options for further investigation by users having technical expertise.

The user, through its own analysis and testing, is solely responsible for making the final selection of the system and components and assuring that all performance, endurance, maintenance, safety and warning requirements of the application are met. The user must analyze all aspects of the application, follow applicable industry standards, and follow the information concerning the product in the current product catalog and in any other materials provided from Parker or its subsidiaries or authorized distributors.

To the extent that Parker or its subsidiaries or authorized distributors provide component or system options based upon data or specifications provided by the user, the user is responsible for determining that such data and specifications are suitable and sufficient for all applications and reasonably foreseeable uses of the components or systems.

Offer of Sale

Please contact your Parker representation for a detailed "Offer of Sale".

Parker Worldwide

Europe, Middle East, Africa

AE – United Arab Emirates, Dubai

Tel: +971 4 8127100
parker.me@parker.com

AT – Austria, Wiener Neustadt
Tel: +43 (0)2622 23501-0
parker.austria@parker.com

AT – Eastern Europe, Wiener Neustadt
Tel: +43 (0)2622 23501 900
parker.easteurope@parker.com

AZ – Azerbaijan, Baku
Tel: +994 50 22 33 458
parker.azerbaijan@parker.com

BE/LU – Belgium, Nivelles
Tel: +32 (0)67 280 900
parker.belgium@parker.com

BG – Bulgaria, Sofia
Tel: +359 2 980 1344
parker.bulgaria@parker.com

BY – Belarus, Minsk
Tel: +48 (0)22 573 24 00
parker.poland@parker.com

CH – Switzerland, Etoy
Tel: +41 (0)21 821 87 00
parker.switzerland@parker.com

CZ – Czech Republic, Klecany
Tel: +420 284 083 111
parker.czechrepublic@parker.com

DE – Germany, Kaarst
Tel: +49 (0)2131 4016 0
parker.germany@parker.com

DK – Denmark, Ballerup
Tel: +45 43 56 04 00
parker.denmark@parker.com

ES – Spain, Madrid
Tel: +34 902 330 001
parker.spain@parker.com

FI – Finland, Vantaa
Tel: +358 (0)20 753 2500
parker.finland@parker.com

FR – France, Contamine s/Arve
Tel: +33 (0)4 50 25 80 25
parker.france@parker.com

GR – Greece, Athens
Tel: +30 210 933 6450
parker.greece@parker.com

HU – Hungary, Budaörs
Tel: +36 23 885 470
parker.hungary@parker.com

IE – Ireland, Dublin
Tel: +353 (0)1 466 6370
parker.ireland@parker.com

IT – Italy, Corsico (MI)
Tel: +39 02 45 19 21
parker.italy@parker.com

KZ – Kazakhstan, Almaty
Tel: +7 7273 561 000
parker.easteurope@parker.com

NL – The Netherlands, Oldenzaal
Tel: +31 (0)541 585 000
parker.nl@parker.com

NO – Norway, Asker
Tel: +47 66 75 34 00
parker.norway@parker.com

PL – Poland, Warsaw
Tel: +48 (0)22 573 24 00
parker.poland@parker.com

PT – Portugal
Tel: +351 22 999 7360
parker.portugal@parker.com

RO – Romania, Bucharest
Tel: +40 21 252 1382
parker.romania@parker.com

RU – Russia, Moscow
Tel: +7 495 645-2156
parker.russia@parker.com

SE – Sweden, Spånga
Tel: +46 (0)8 59 79 50 00
parker.sweden@parker.com

SK – Slovakia, Banská Bystrica
Tel: +421 484 162 252
parker.slovakia@parker.com

SL – Slovenia, Novo Mesto
Tel: +386 7 337 6650
parker.slovenia@parker.com

TR – Turkey, Istanbul
Tel: +90 216 4997081
parker.turkey@parker.com

UA – Ukraine, Kiev
Tel: +48 (0)22 573 24 00
parker.poland@parker.com

UK – United Kingdom, Warwick
Tel: +44 (0)1926 317 878
parker.uk@parker.com

ZA – South Africa, Kempton Park
Tel: +27 (0)11 961 0700
parker.southafrica@parker.com

North America

CA – Canada, Milton, Ontario
Tel: +1 905 693 3000

US – USA, Cleveland
(industrial)
Tel: +1 216 896 3000

US – USA, Elk Grove Village
(mobile)
Tel: +1 847 258 6200

Asia Pacific

AU – Australia, Castle Hill
Tel: +61 (0)2-9634 7777

CN – China, Shanghai
Tel: +86 21 2899 5000

HK – Hong Kong
Tel: +852 2428 8008

ID – Indonesia, Tangerang
Tel: +62 21 7588 1906

IN – India, Mumbai
Tel: +91 22 6513 7081-85

JP – Japan, Fujisawa
Tel: +81 (0)4 6635 3050

KR – South Korea, Seoul
Tel: +82 2 559 0400

MY – Malaysia, Shah Alam
Tel: +60 3 7849 0800

NZ – New Zealand, Mt Wellington
Tel: +64 9 574 1744

SG – Singapore
Tel: +65 6887 6300

TH – Thailand, Bangkok
Tel: +662 186 7000

TW – Taiwan, New Taipei City
Tel: +886 2 2298 8987

VN – Vietnam, Ho Chi Minh City
Tel: +84 8 3999 1600

South America

AR – Argentina, Buenos Aires
Tel: +54 3327 44 4129

BR – Brazil, Cachoeirinha RS
Tel: +55 51 3470 9144

CL – Chile, Santiago
Tel: +56 2 623 1216

MX – Mexico, Toluca
Tel: +52 72 2275 4200

Ed. 2016-04-04

EMEA Product Information Centre

Free phone: 00 800 27 27 5374

(from AT, BE, CH, CZ, DE, DK, EE, ES, FI, FR, IE, IL, IS, IT, LU, MT, NL, NO, PL, PT, RU, SE, SK, UK, ZA)

US Product Information Centre

Toll-free number: 1-800-27 27 537

www.parker.com/pmde

Your local authorized Parker distributor

